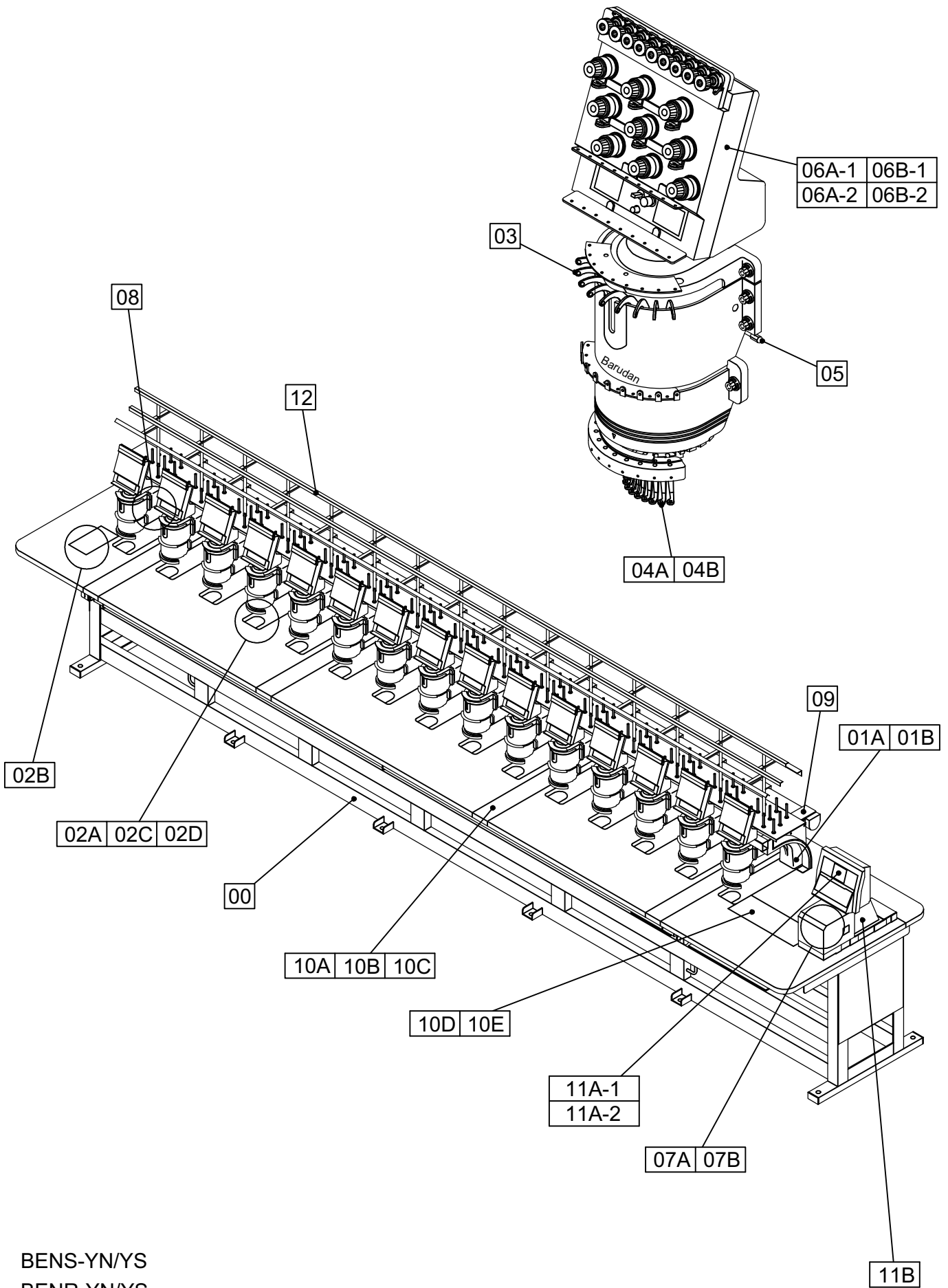


Barudan

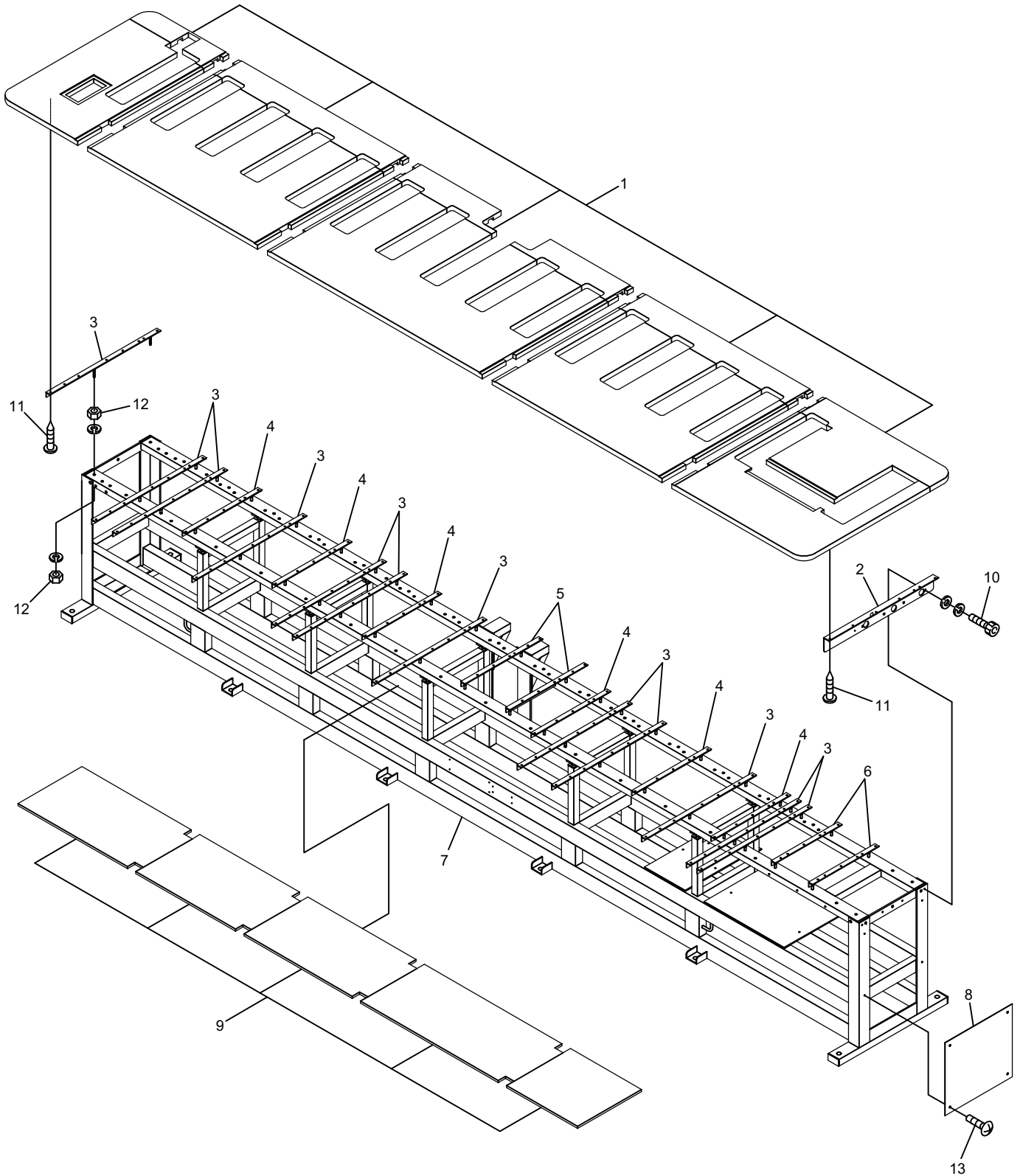
HIGH SPEED AUTOMATIC EMBROIDERY MACHINE

BENS-YN/Y5

PARTS LIST



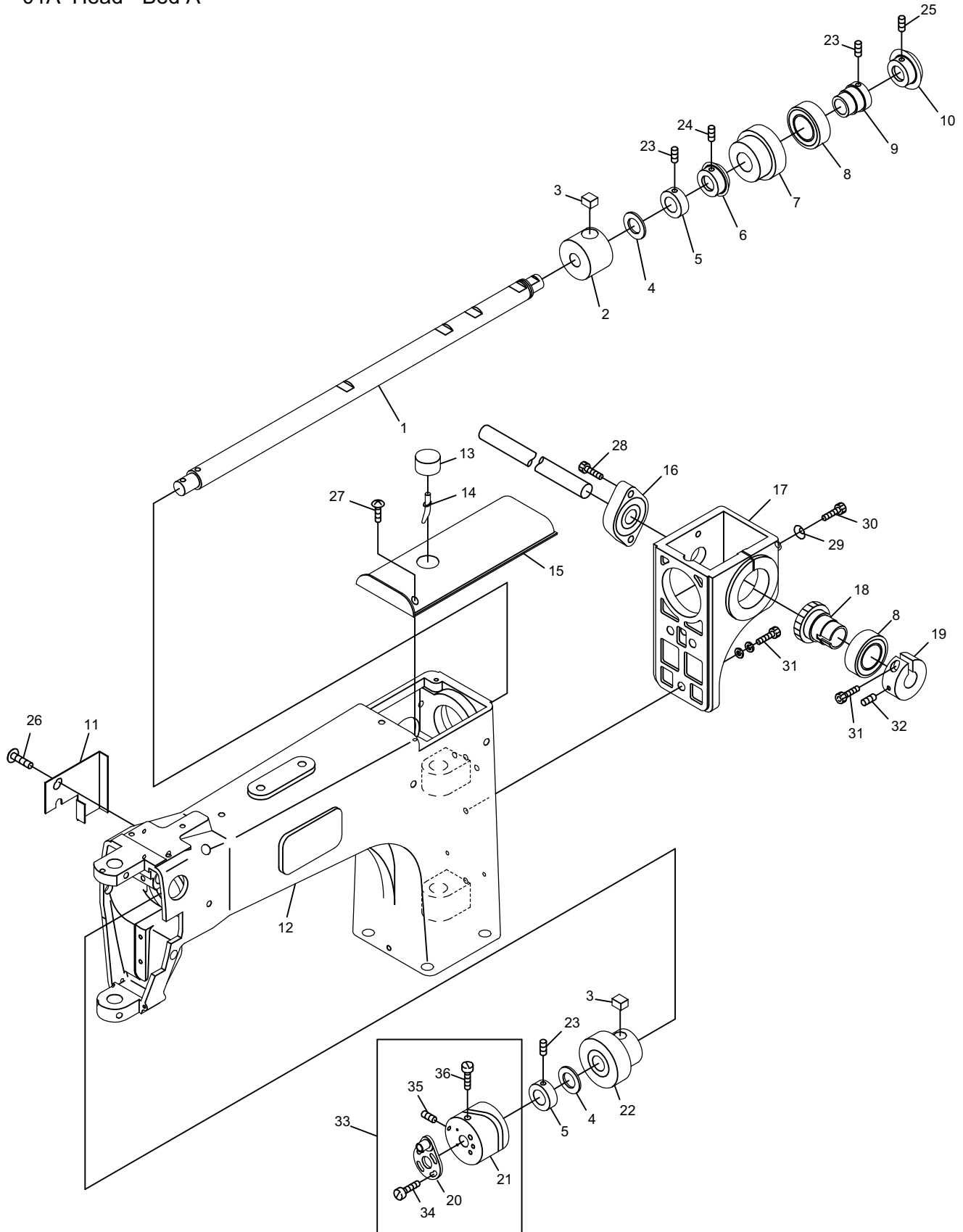
BENS-YN/YS
BENR-YN/YS



BENS-YN/YS
BENR-YN/YS

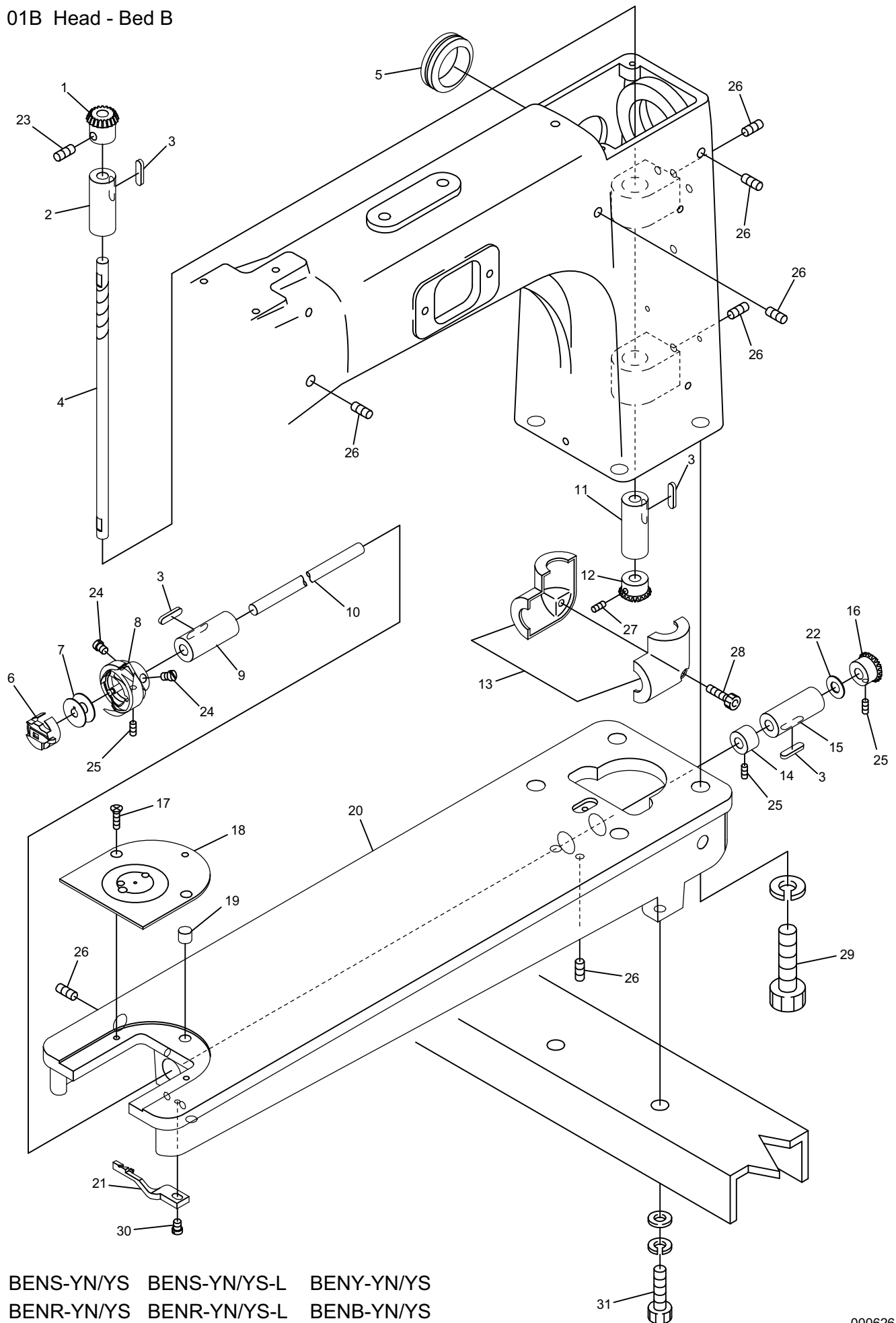
01A Head - Bed A

'99.01.19



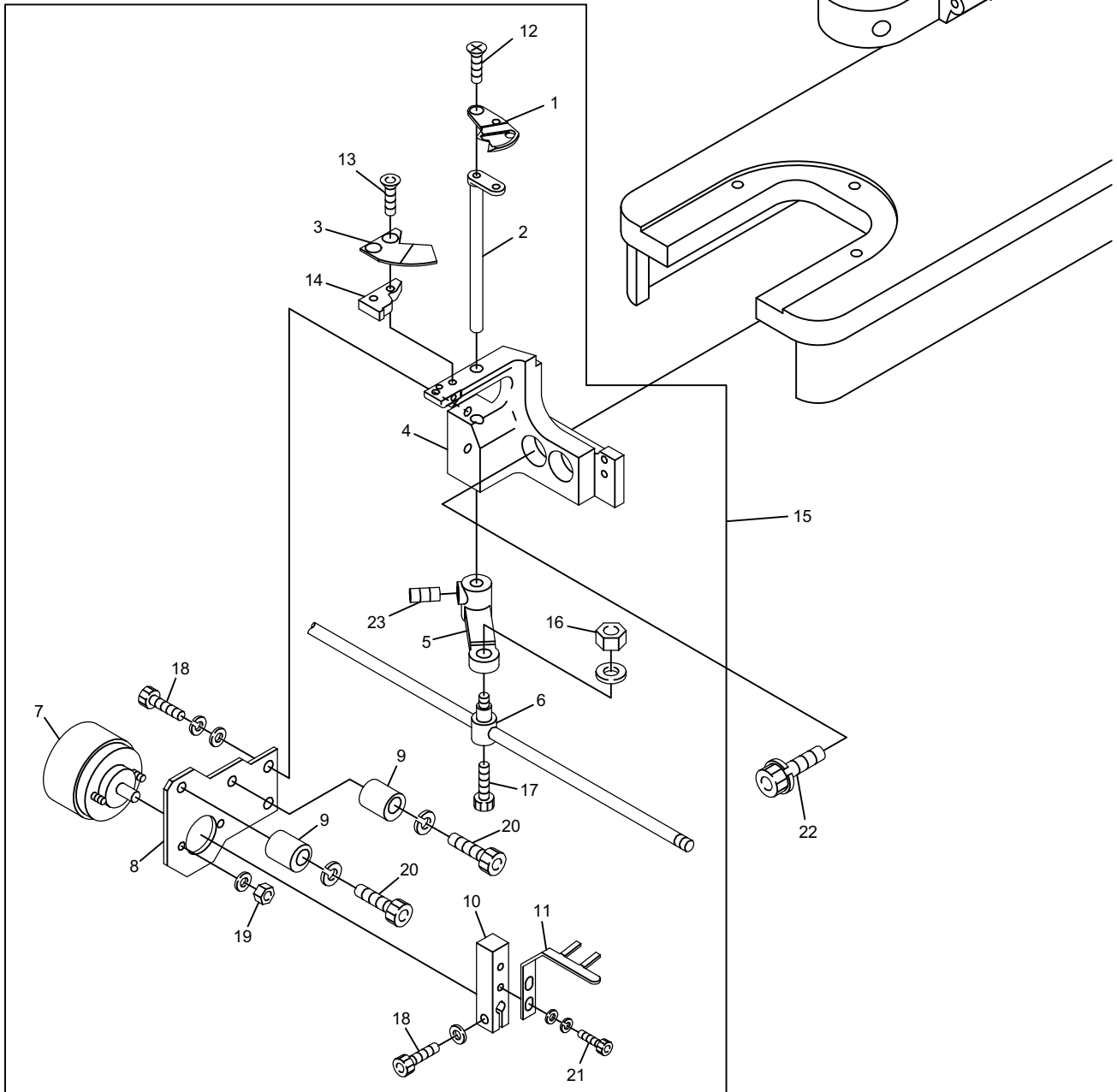
BENS-YN/YS BENS-YN/YS-L BENY-YN/YS BENSME-YN/YS BENYME-YN/YS
 BENR-YN/YS BENR-YN/YS-L BENB-YN/YS BENRME-YN/YS BENBME-YN/YS

01B Head - Bed B



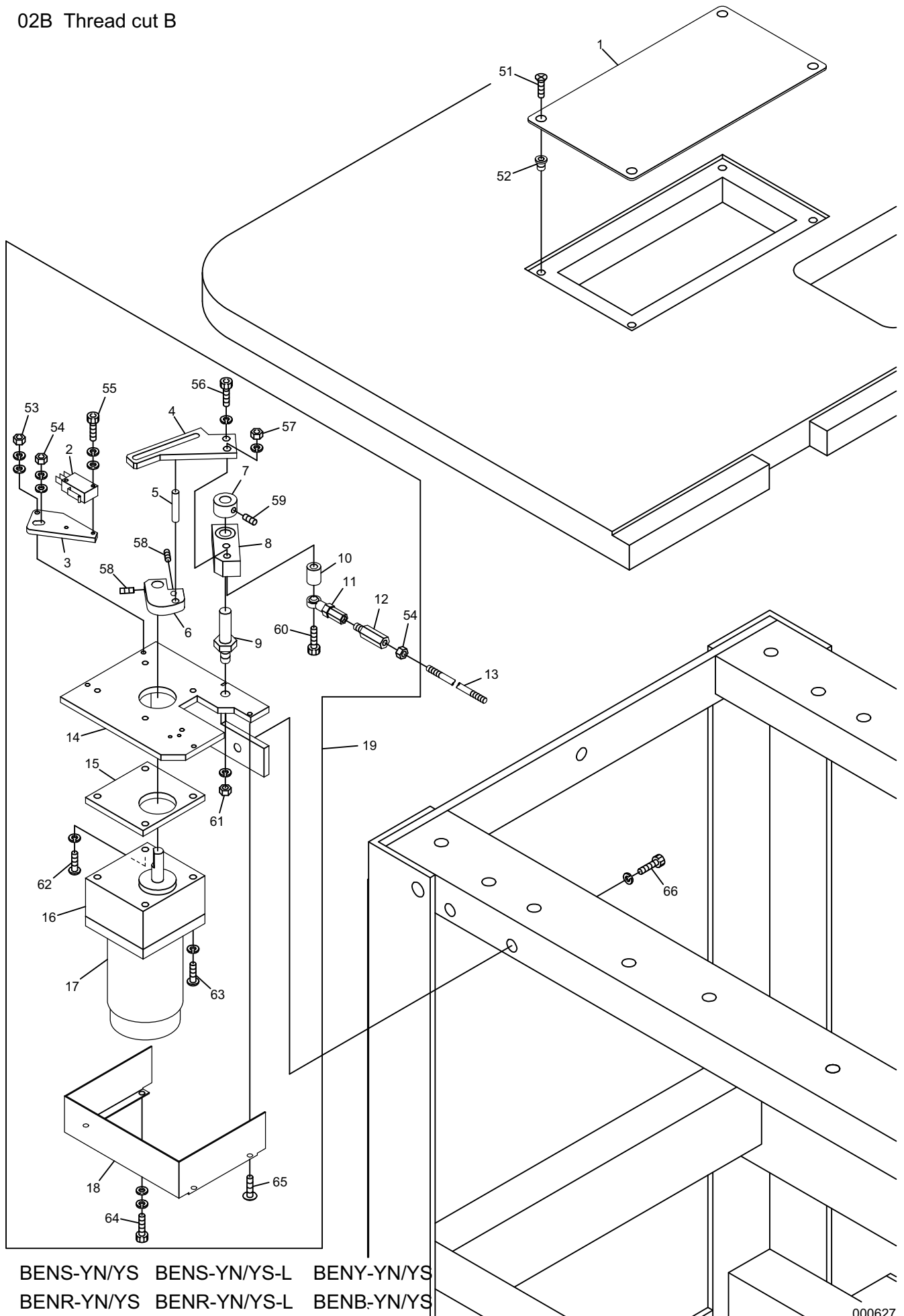
BENS-YN/YS BENS-YN/YS-L BENY-YN/YS
 BENR-YN/YS BENR-YN/YS-L BENB-YN/YS

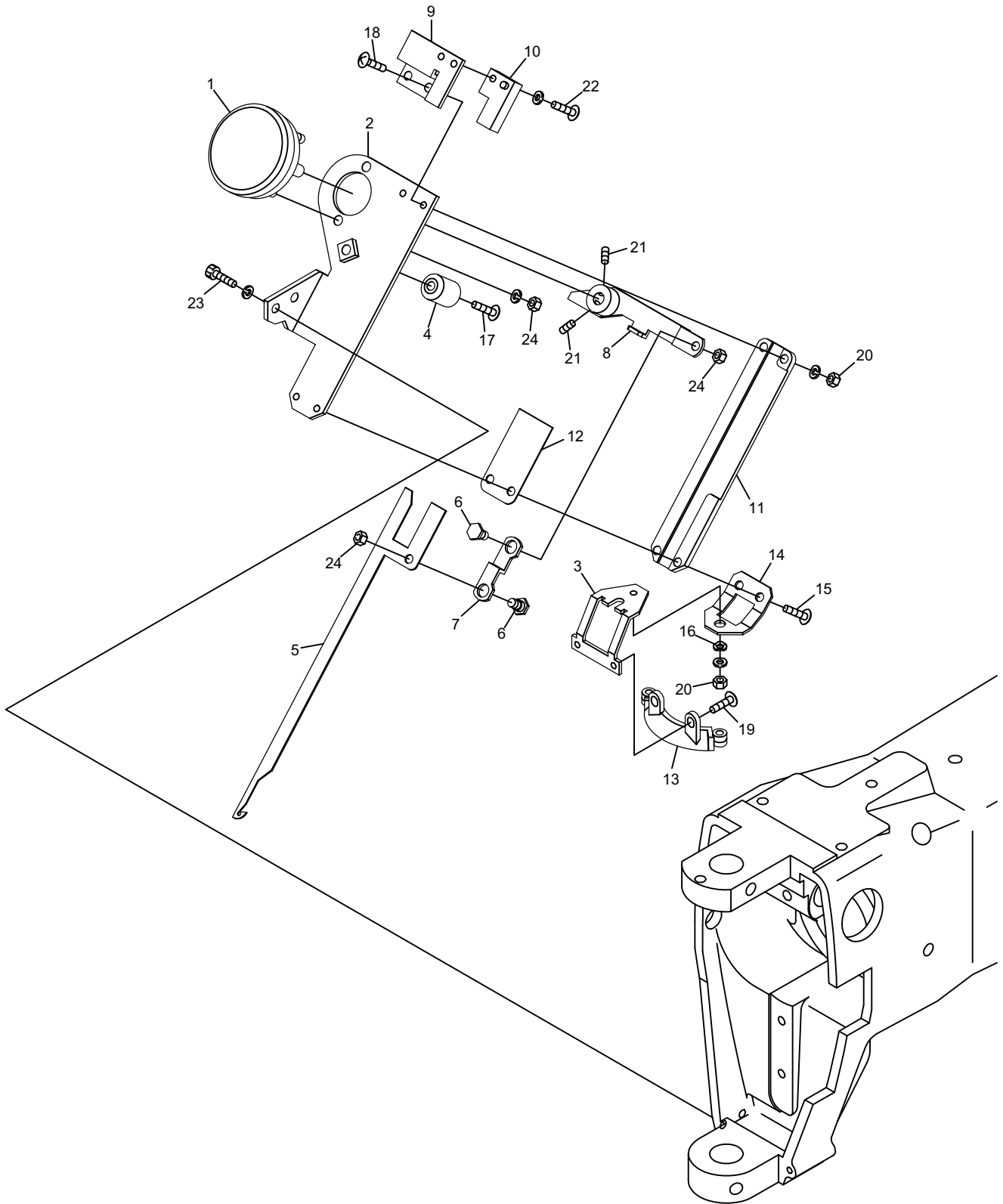
02A Thread cut A



BENS-YN/YS BENS-YN/YS-L BENY-YN/YS
BENR-YN/YS BENR-YN/YS-L BENB-YN/YS

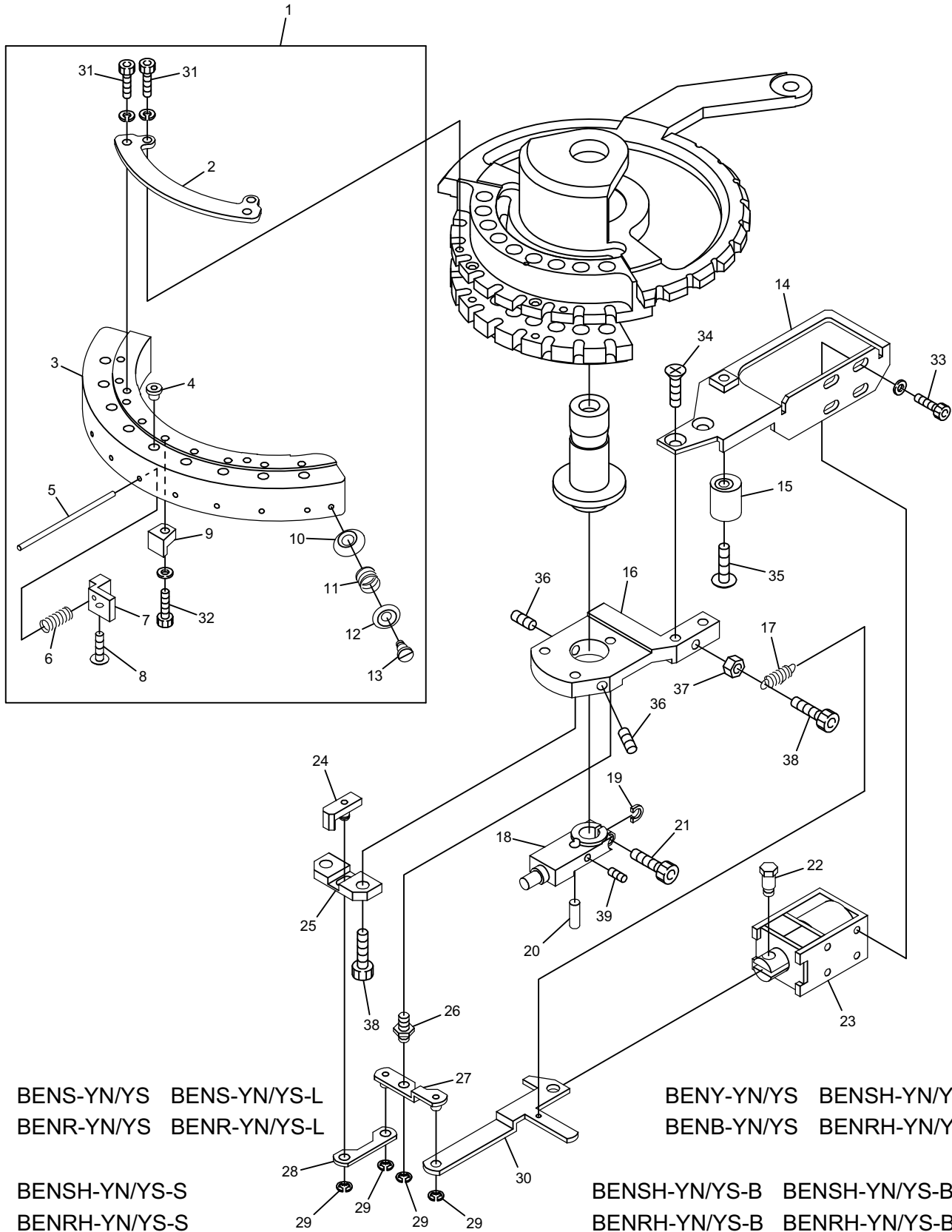
02B Thread cut B





BENS-YN/YS BENS-YN/YS-L BENY-YN/YS BENSME-YN/YS BENYME-YN/YS
BENR-YN/YS BENR-YN/YS-L BENB-YN/YS BENRME-YN/YS BENBME-YN/YS

02D Thread cut D



BENS-YN/YS BENS-YN/YS-L
 BENR-YN/YS BENR-YN/YS-L

BENSH-YN/YS-S
 BENRH-YN/YS-S

BENY-YN/YS BENSH-YN/YS
 BENB-YN/YS BENRH-YN/YS

BENSH-YN/YS-B BENSH-YN/YS-BS
 BENRH-YN/YS-B BENRH-YN/YS-BS

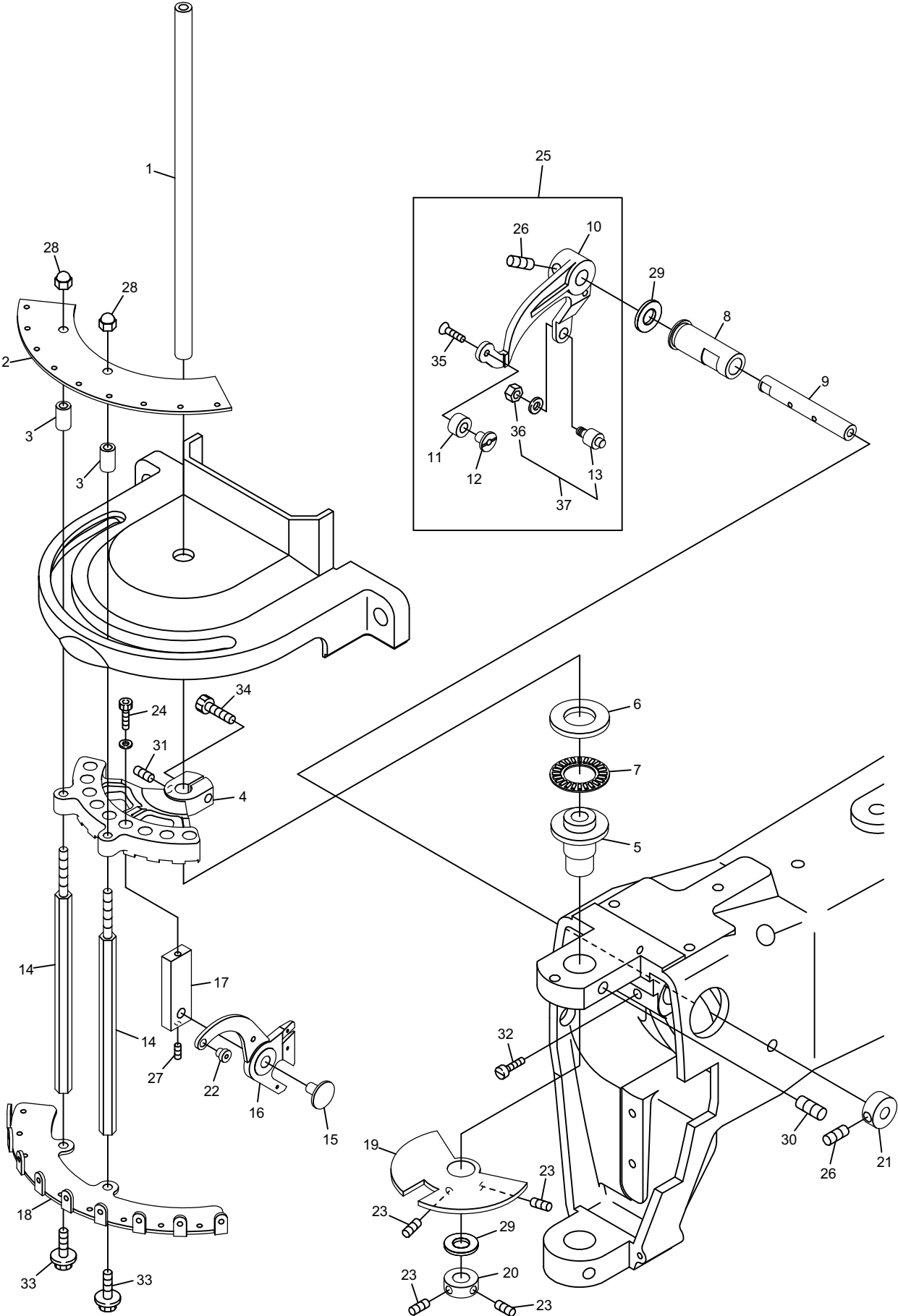
BENSH-YN-KS BEDSH-YN/YS-BS BENYH-YN BENYH-YN-C BENSHE-YN/YS BENYHE-YN
 BENRH-YN-KS BENBH-YN BENRHE-YN/YS BENBHE-YN

BENYHE-YN-B BENYHE-YN-C
 BENBHE-YN-B BENBHE-YN-C

02D THREAD CUT D

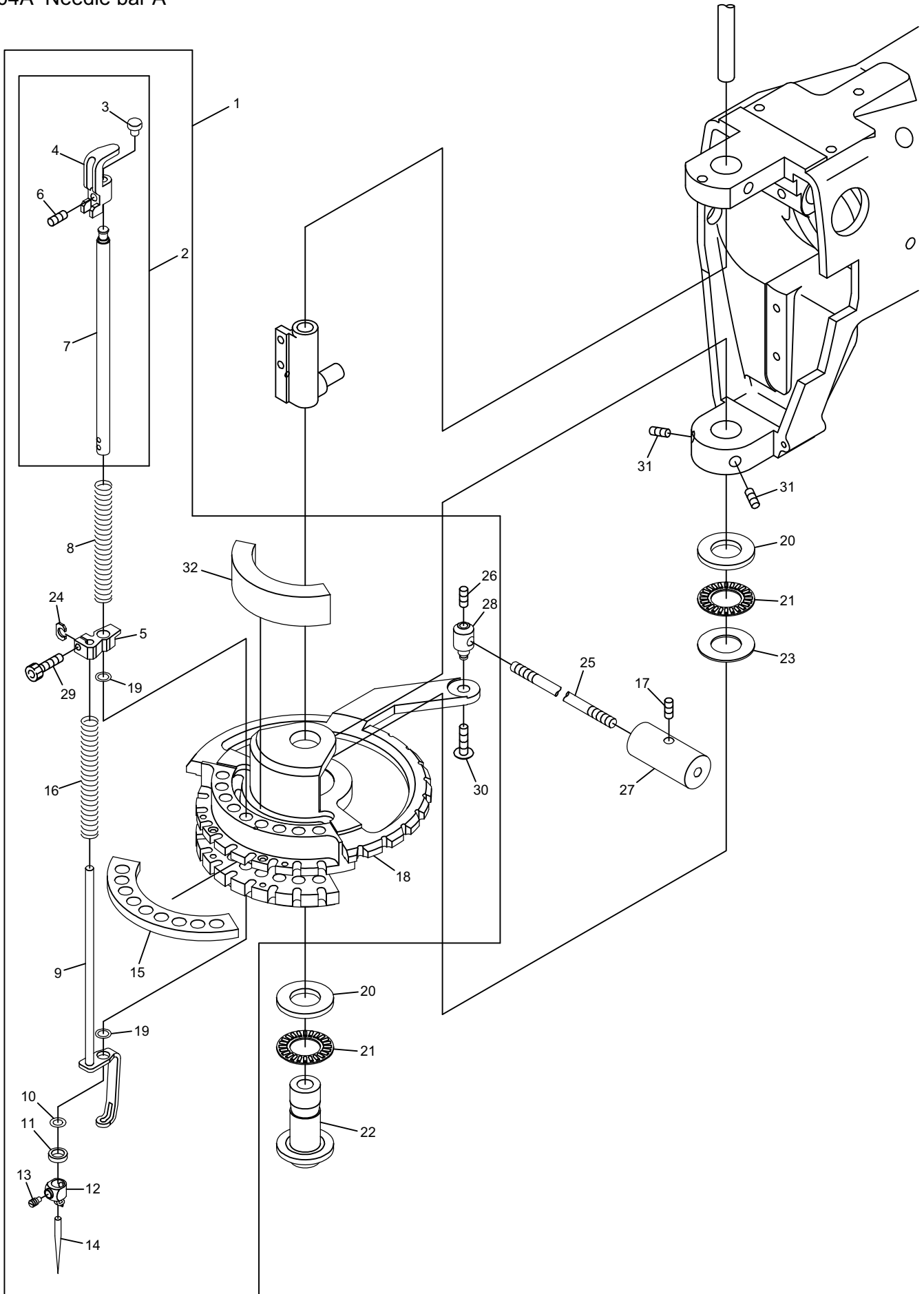
ITEM	LIST NO.	DESCRIPTION	Q'TY	NOTE
1	HT270030	Thread support apron a'ssy(YN)	H×1	YN
	HT270140	Thread support apron a'ssy(YS-2)	H×1	YS
2	HT270010	Thread support apron fixing stay	H×1	
3	HT270001	Thread support apron(YN)	H×1	YN
	HT270150	Thread support apron(YS-2)	H×1	YS
4	KF230582	Thread way guide(For thread support apron)		YN...H×9,YS...H×7
5	HT270040	Thread support shaft		YN...H×9,YS...H×7
6	KC270271	Support spring		YN...H×9,YS...H×7
7	HT270021	Thread support clamp		YN...H×9,YS...H×7
8	HT270063	Thread support clamp set screw(YN)		YN...H×9,YS...H×7
9	KC270292	Thread support block		YN...H×9,YS...H×7
10	KF250220	Thread guard disk	H×2	
11	KF250241	Thread hook support spring	H×2	
12	KF250231	Thread guard spring pressure	H×2	
13	KF250250	Thread hook support shaft screw	H×2	
14	KL270070	Solenoid stay	H×1	
15	KN272401	Stopper eccentric	H×1	
16	KL270000	Fixing base	H×1	
17	KL270520	Return spring	H×1	
18	HT230361	Drive shaft fixing plate	H×1	
19	HT230830	Washer for drive shaft fixing plate	H×1	
20	HT230350	Thread guard disk fixing pin	H×1	
21	HT230640	Drive shaft fixing clamp bolt	H×1	
22	KC270101	Solenoid pin	H×1	
23	A9056037	Keep solenoid TDS-K10SL(With cover)	H×1	
24	HT270120	Thread support slider	H×1	
25	HT270100	Slide base	H×1	
26	KL270040	Lever rotary shaft	H×1	
27	HT270090	Solenoid lever	H×1	
28	HT270080	Drive plate	H×1	
29	A9012127	E-ring f3	H×4	
30	KL270060	Lever connecting plate	H×1	
31		Hex.socket bolt(Plating) M3×6 (With spring washer)		
32		Hex.socket bolt M3×10(With plain washer)		
33		Hex.socket bolt M3×6		
34		Flush screw M4×8		
35		Truss screw M4×16		
36		Hex.socket set screw M4×8		
37		Hex.nut M4		
38		Hex.socket bolt M4×8		
39		Set screw M3×5		

03 Take up lever

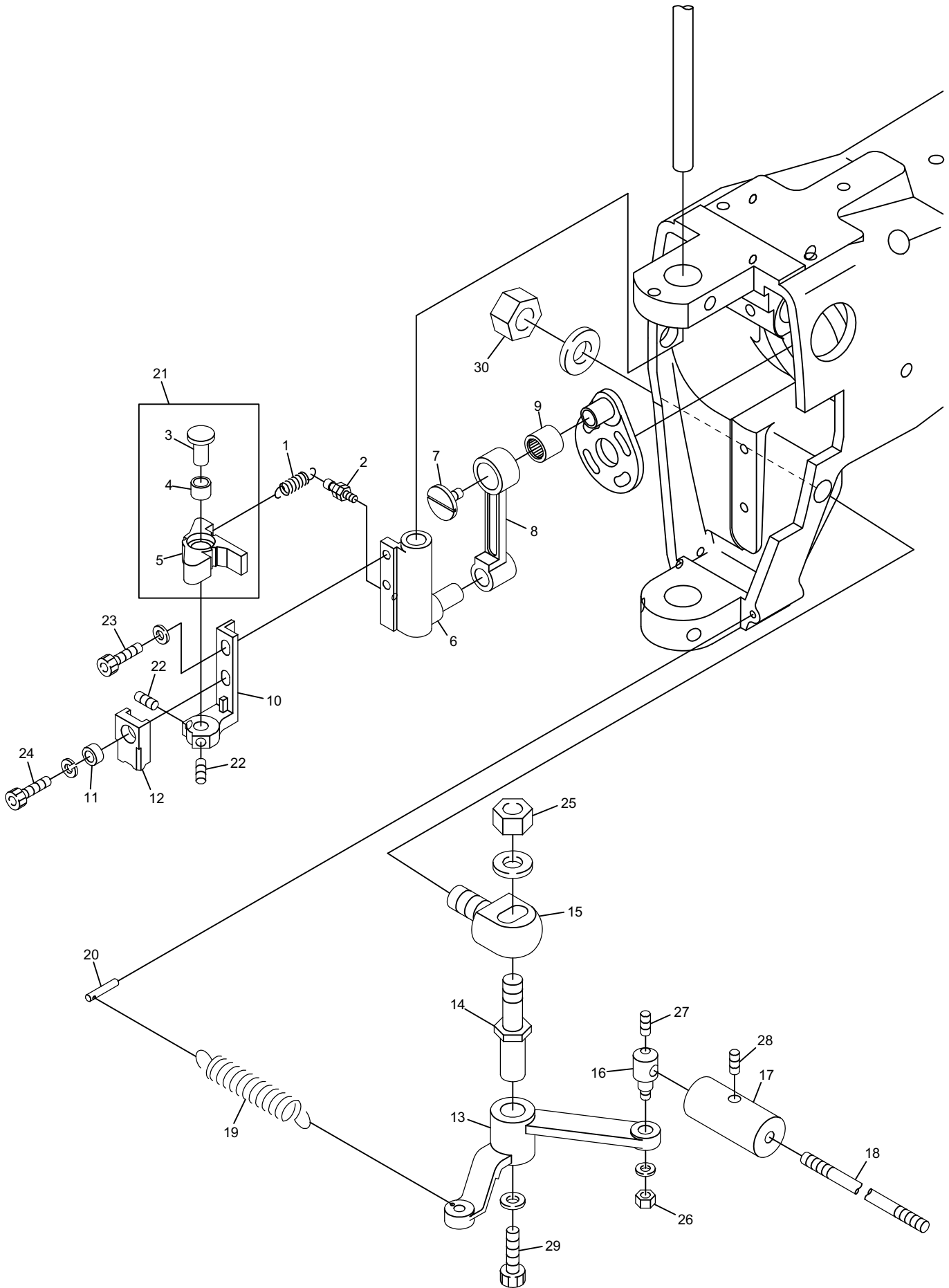


BENS-YN/YS BENS-YN/YS-L BENY-YN/YS
 BENR-YN/YS BENR-YN/YS-L BENB-YN/YS

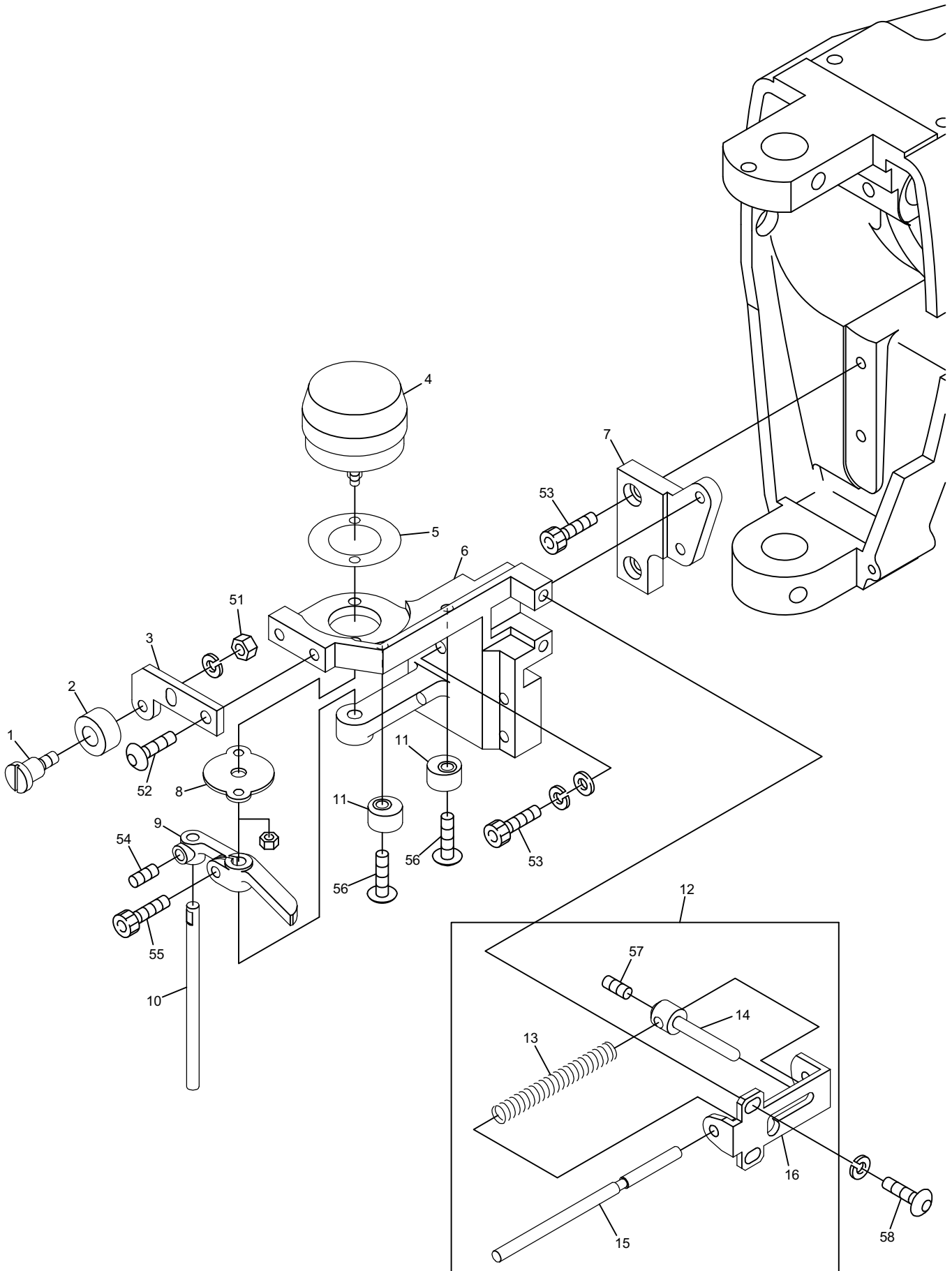
04A Needle bar A



BENS-YN/YS BENY-YN/YS
 BENR-YN/YS BENB-YN/YS

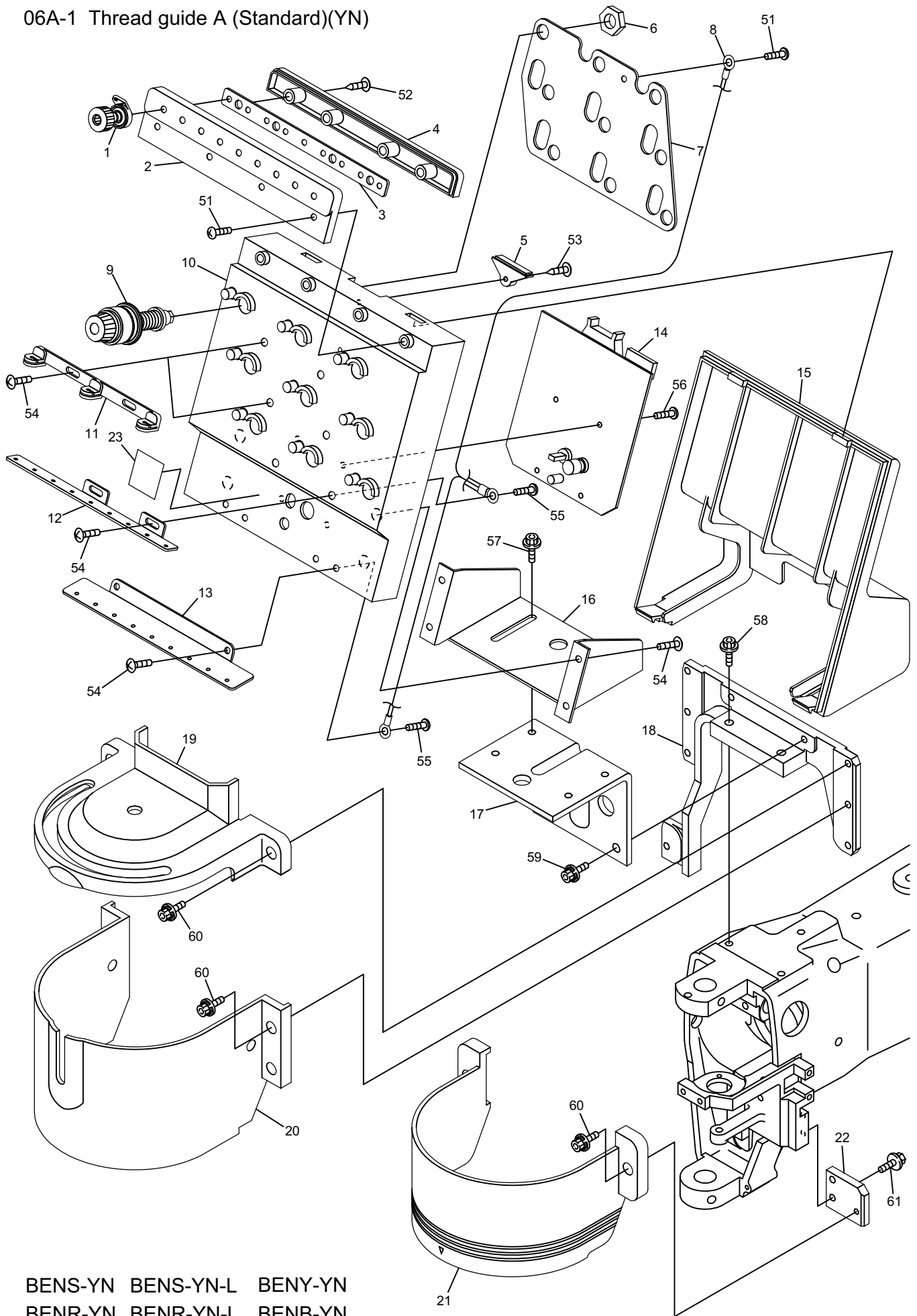


BENS-YN/YS BENY-YN/YS BENSME-YN/YS BENYME-YN/YS
BENR-YN/YS BENB-YN/YS BENRME-YN/YS BENBME-YN/YS



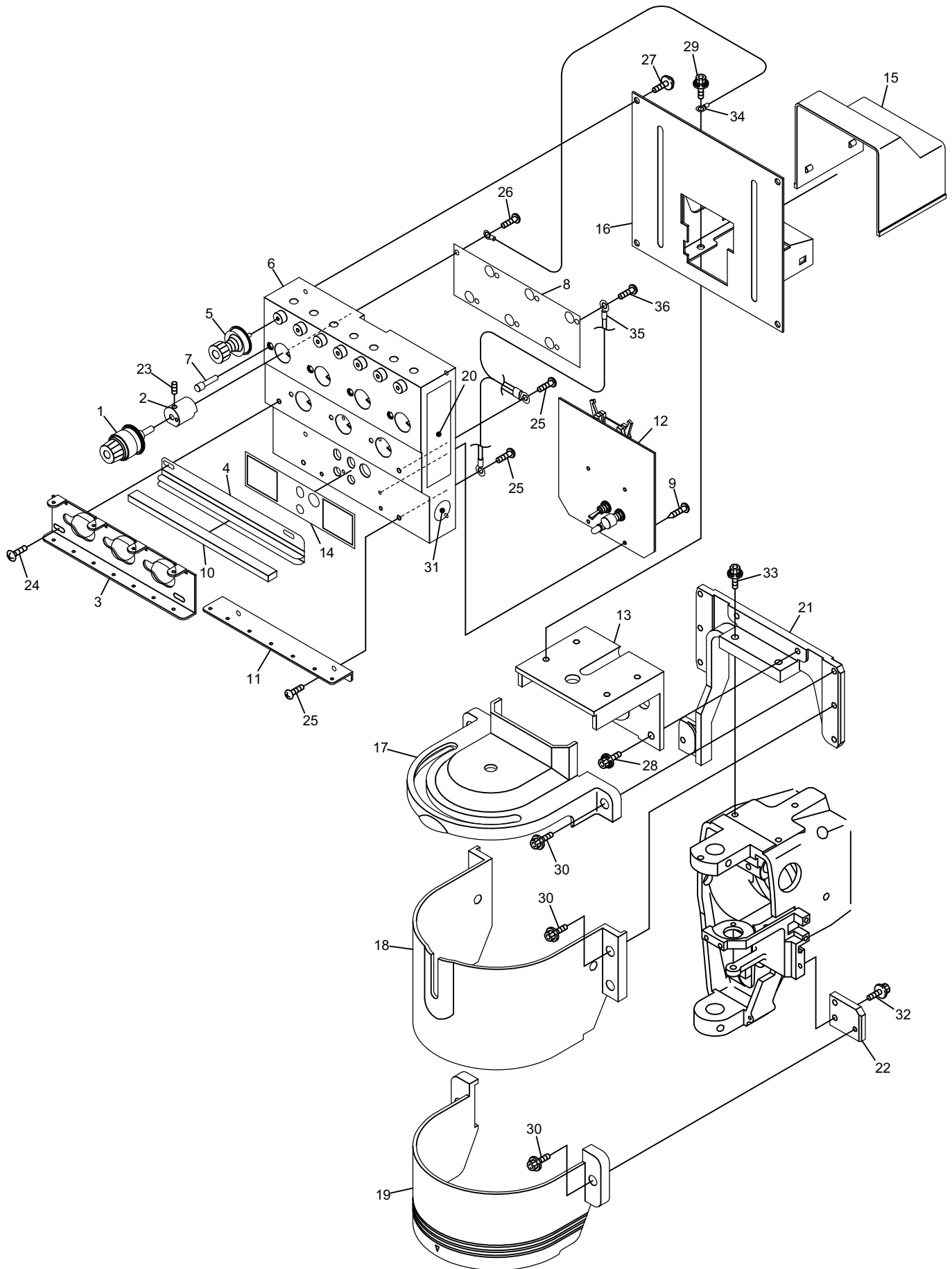
BENS-YN/YS BENS-YN/YS-L BENY-YN/YS BENSME-YN/YS BENYME-YN/YS
 BENR-YN/YS BENR-YN/YS-L BENB-YN/YS BENRME-YN/YS BENBME-YN/YS

06A-1 Thread guide A (Standard)(YN)



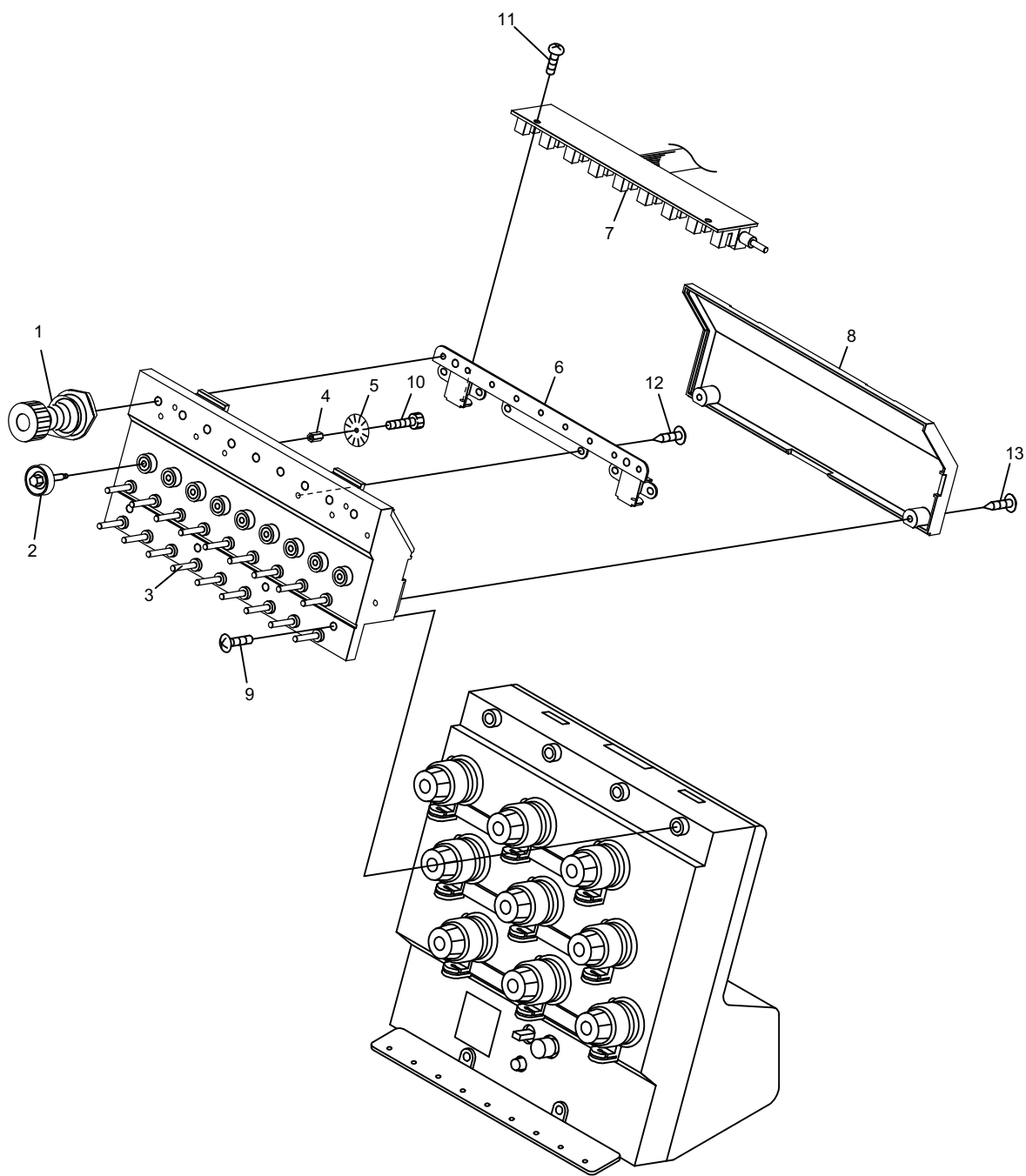
BENS-YN BENS-YN-L BENY-YN
 BENR-YN BENR-YN-L BENB-YN

06A-2 Thread guide A (Standard)(YS)



BENS-YS BENS-YS-L BENY-YS BENSME-YS BENYME-YS
 BENR-YS BENR-YS-L BENB-YS BENRME-YS BENBME-YS

06B-1 Thread guide B (Lower thread sensorium)(YN)

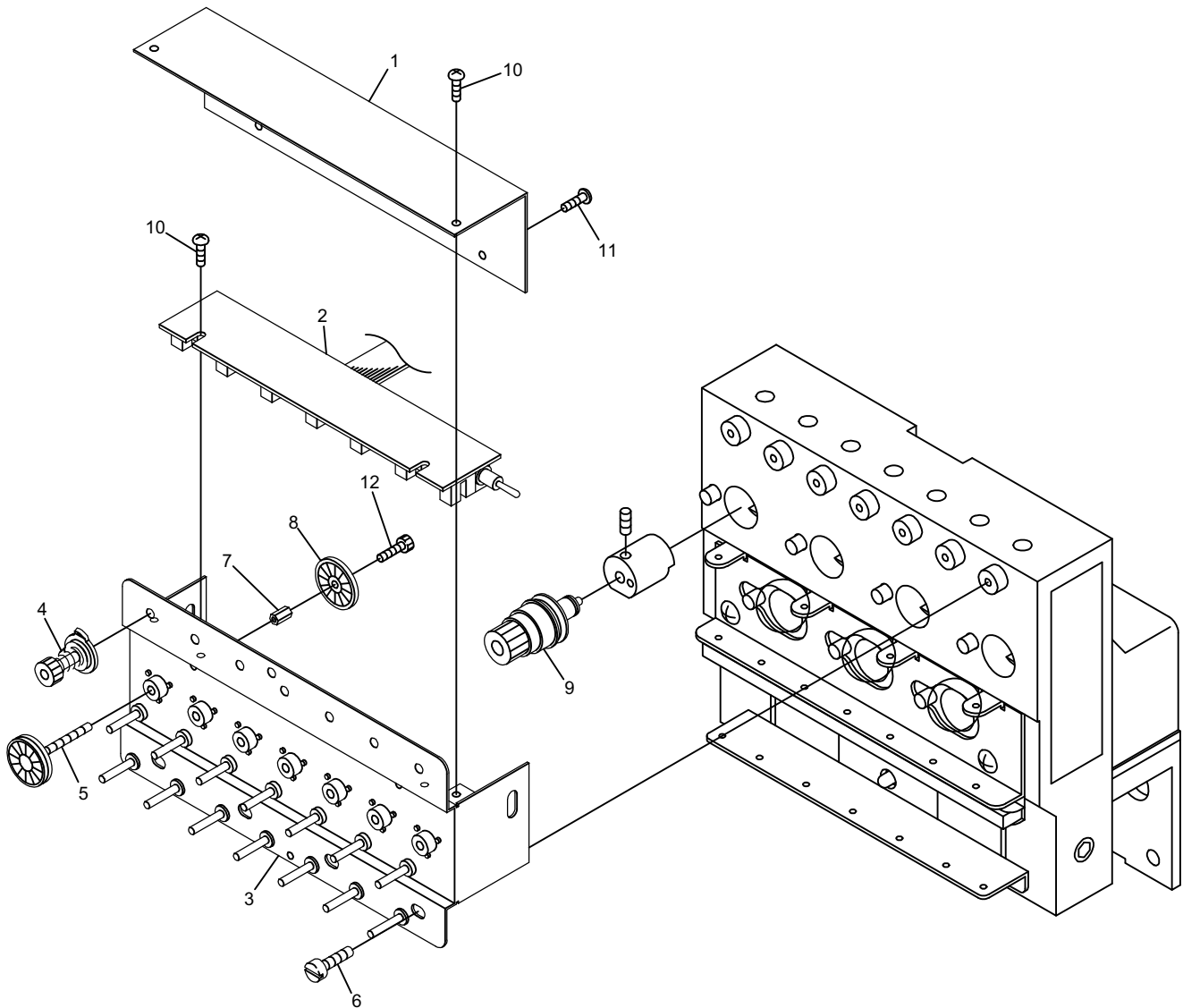


BENS-YN BENS-YN-L BENY-YN
 BENR-YN BENR-YN-L BENB-YN

BENSME-ZN BENYME-ZN BENT-ZN BENSHE-YN BENSHE-YN-S BENSHE-YN-B BENSHE-YN-C
 BENRME-ZN BENBME-ZN BENRH-YN BENRH-YN-S BENRH-YN-B BENRH-YN-BS

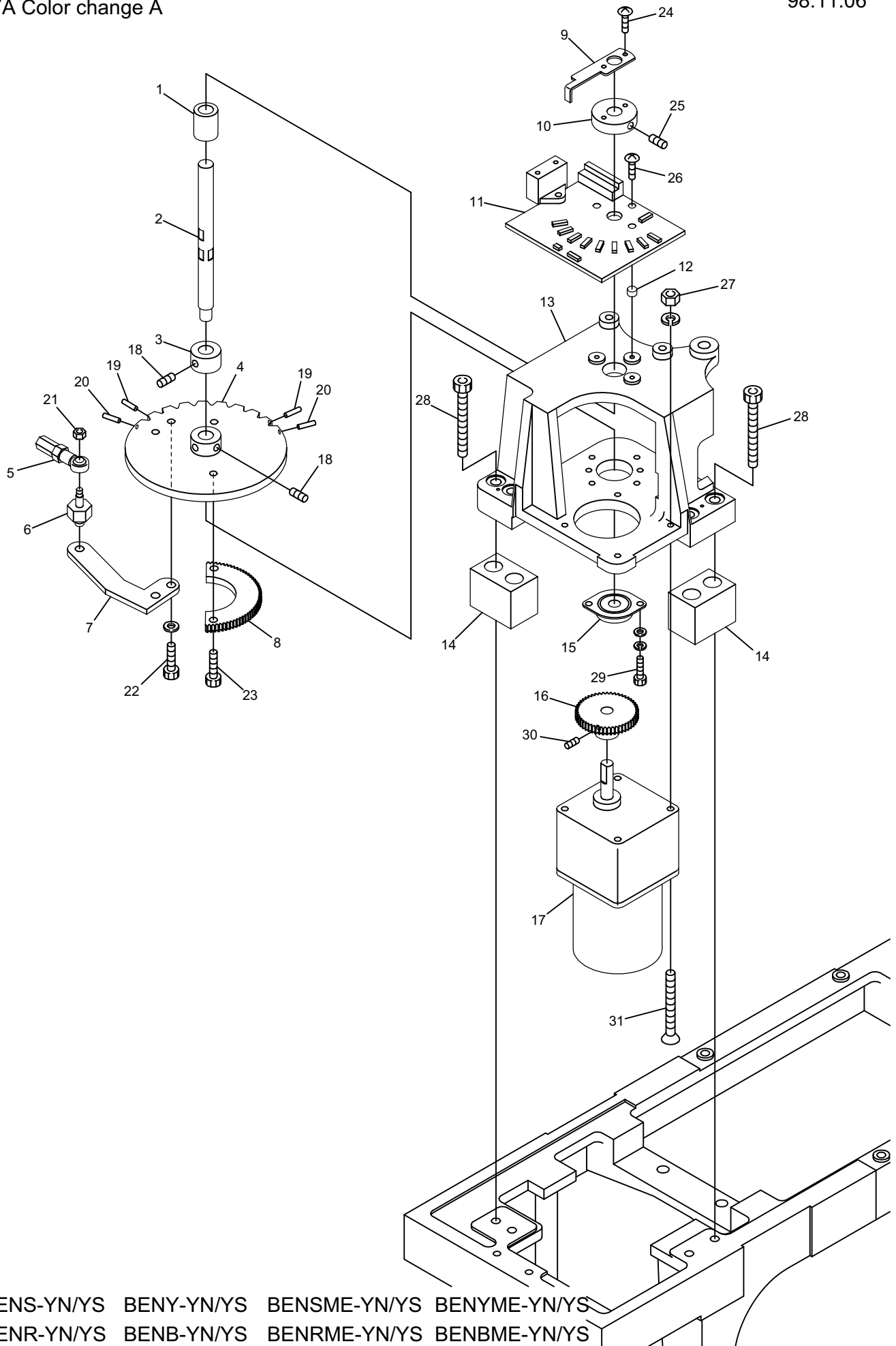
BENYH-YN BENYH-YN-C BENSHE-YN BENYHE-YN BENYHE-YN-B BENYHE-YN-C
 BENBH-YN BENRHE-YN BENBHE-YN BENBHE-YN-B BENBHE-YN-C

06B-2 Thread guide B (Lower thread sensorium)(YS)

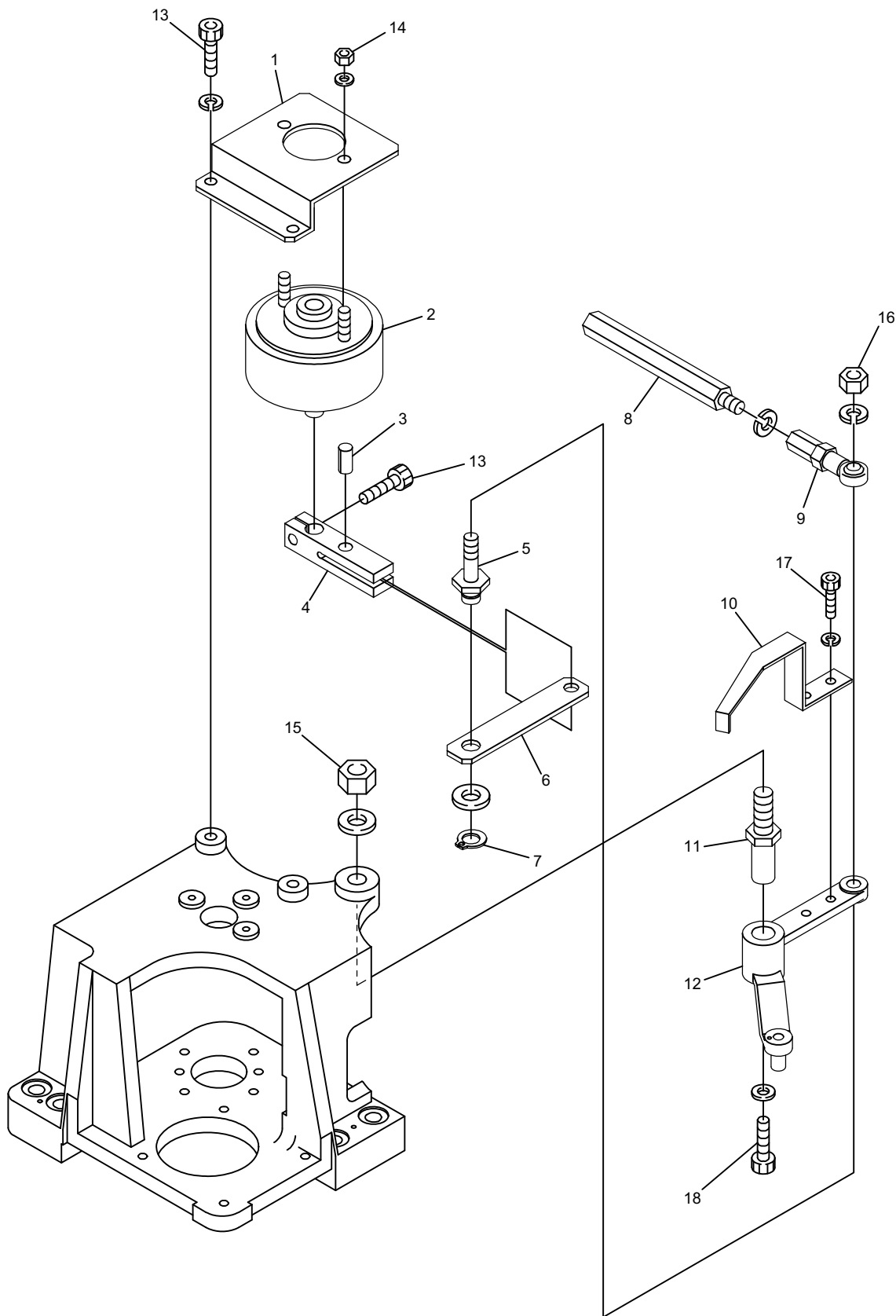


BENS-YS BENS-YS-L
 BENR-YS BENR-YS-L

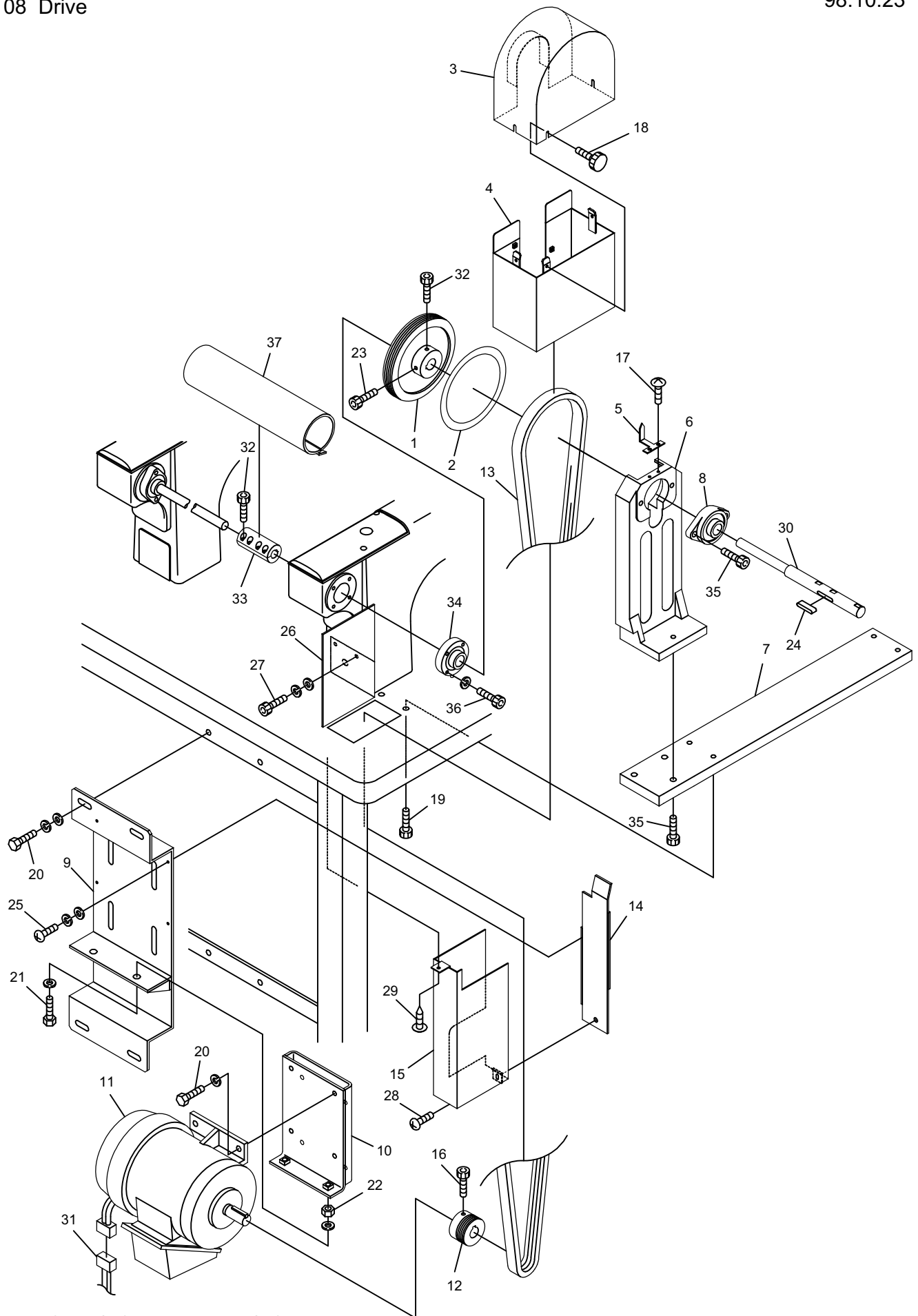
BENY-YS BENSHE-YS BENSHE-YS-S BENSHE-YS-B BENSHE-YS-BS
 BENB-YS BENRH-YS BENRH-YS-S BENRH-YS-B BENRH-YS-BS



BENS-YN/YS BENY-YN/YS BENSME-YN/YS BENYME-YN/YS
BENR-YN/YS BENB-YN/YS BENRME-YN/YS BENBME-YN/YS

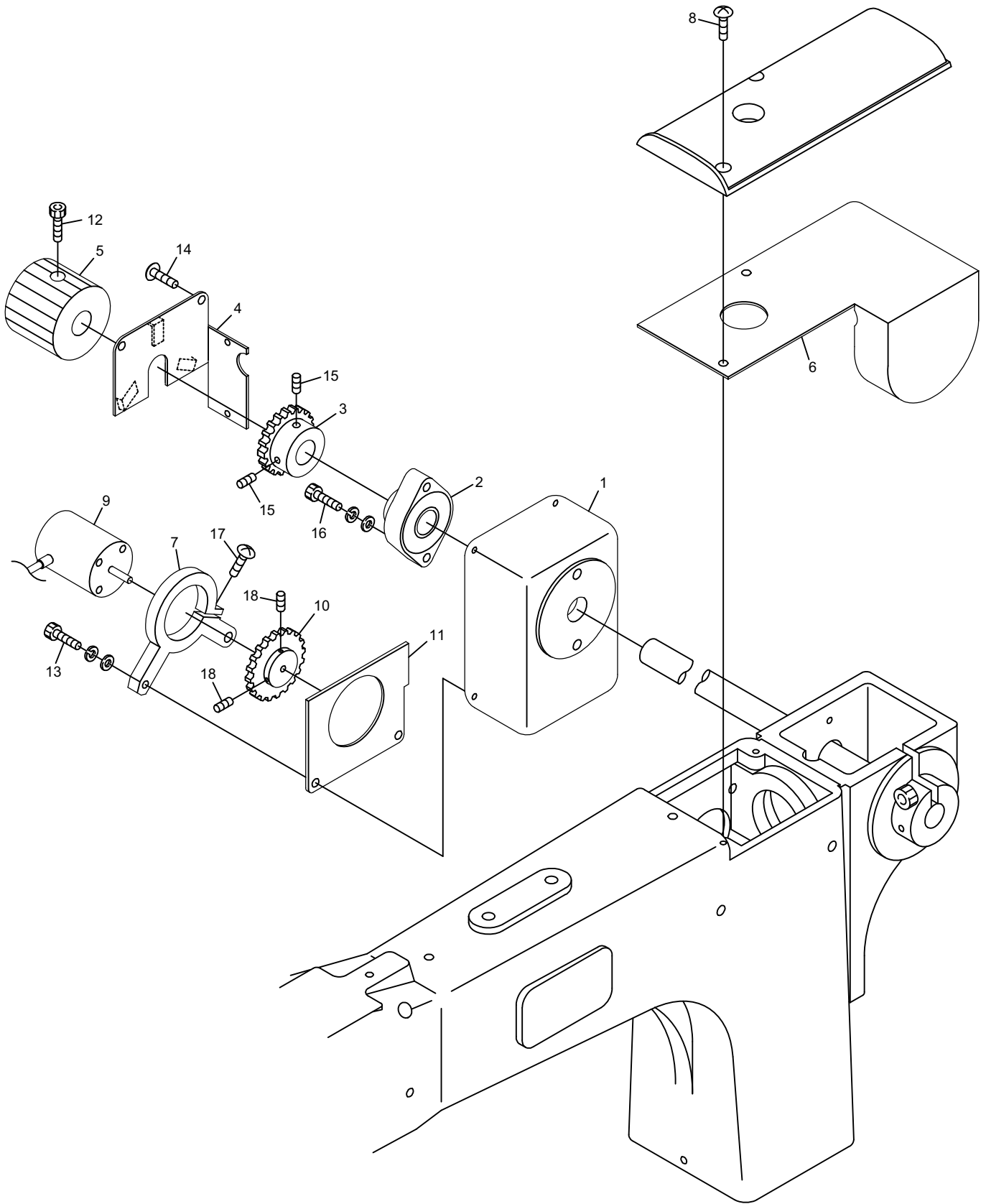


BENS-YN/YS BENS-YN/YS-L BENY-YN/YS BENSME-YN/YS BENYME-YN/YS
 BENR-YN/YS BENR-YN/YS-L BENB-YN/YS BENRME-YN/YS BENBME-YN/YS

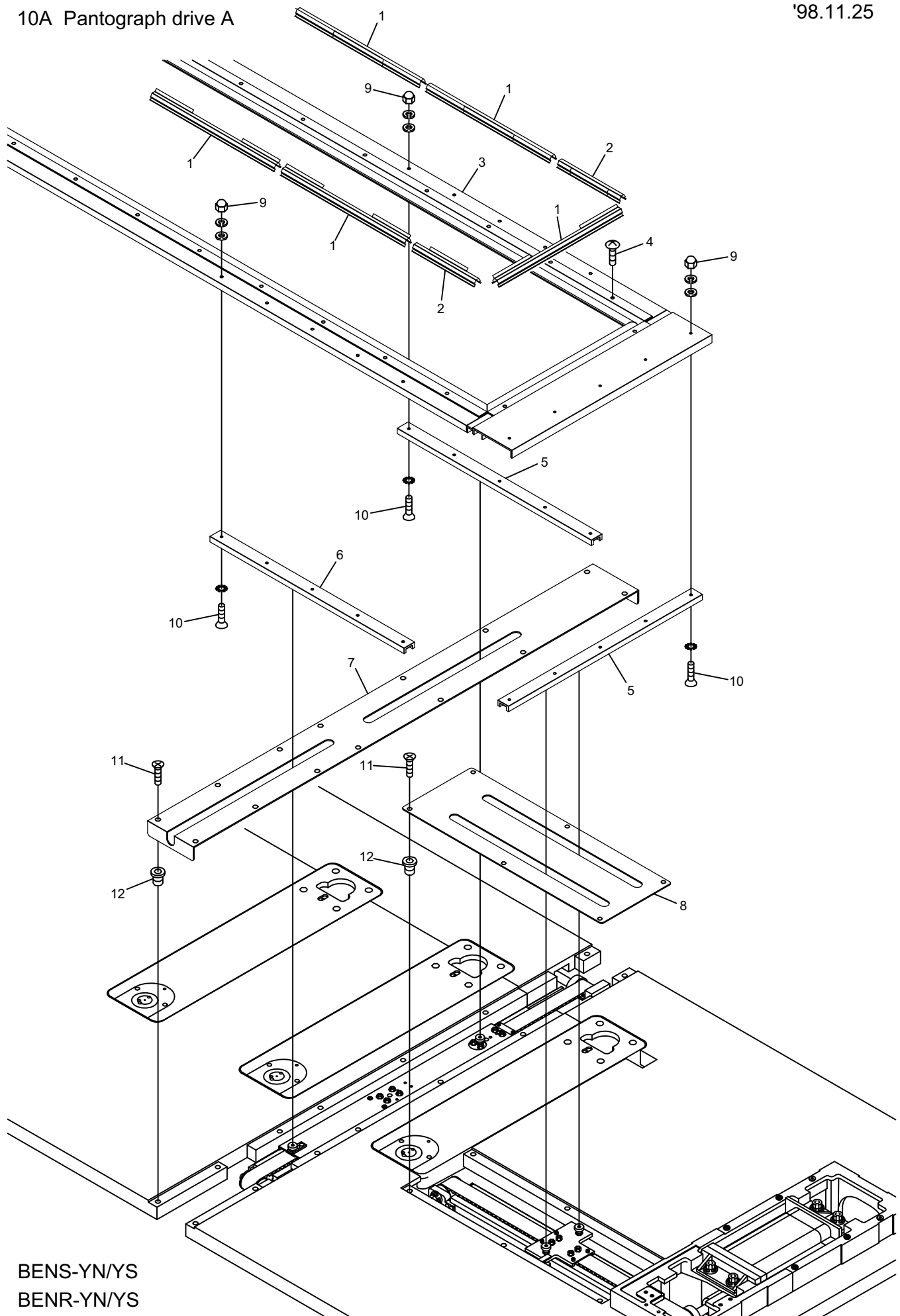


BENS-YN/YS BENY-YN/YS
BENR-YN/YS BENB-YN/YS

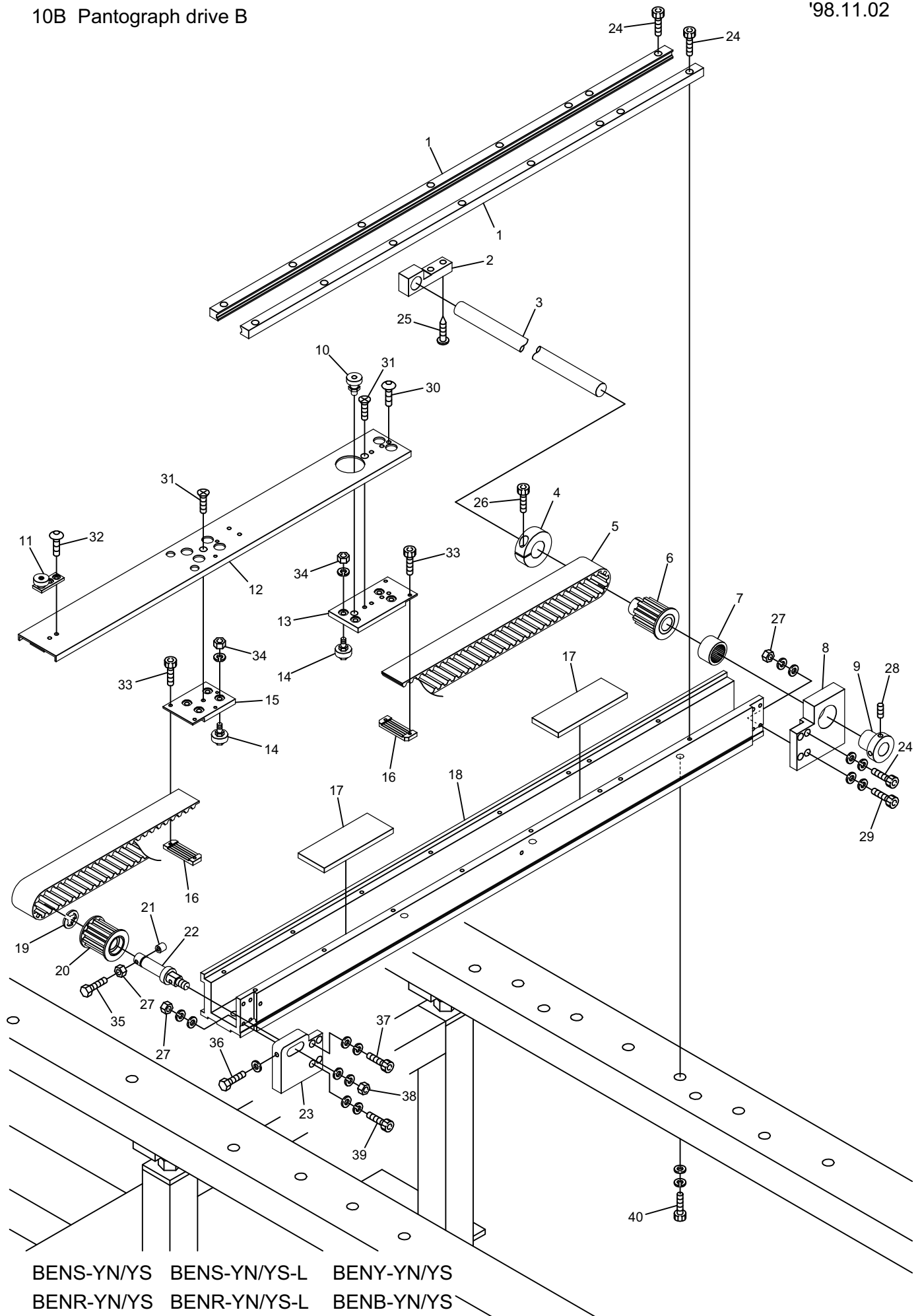
09 Connecting shaft



BENS-YN/YS BENS-YN/YS-L BENY-YN/YS BEDSME-ZN/ZQ-A BENYME-ZN/ZQ
 BENR-YN/YS BENR-YN/YS-L BENB-YN/YS BENBME-ZN/ZQ

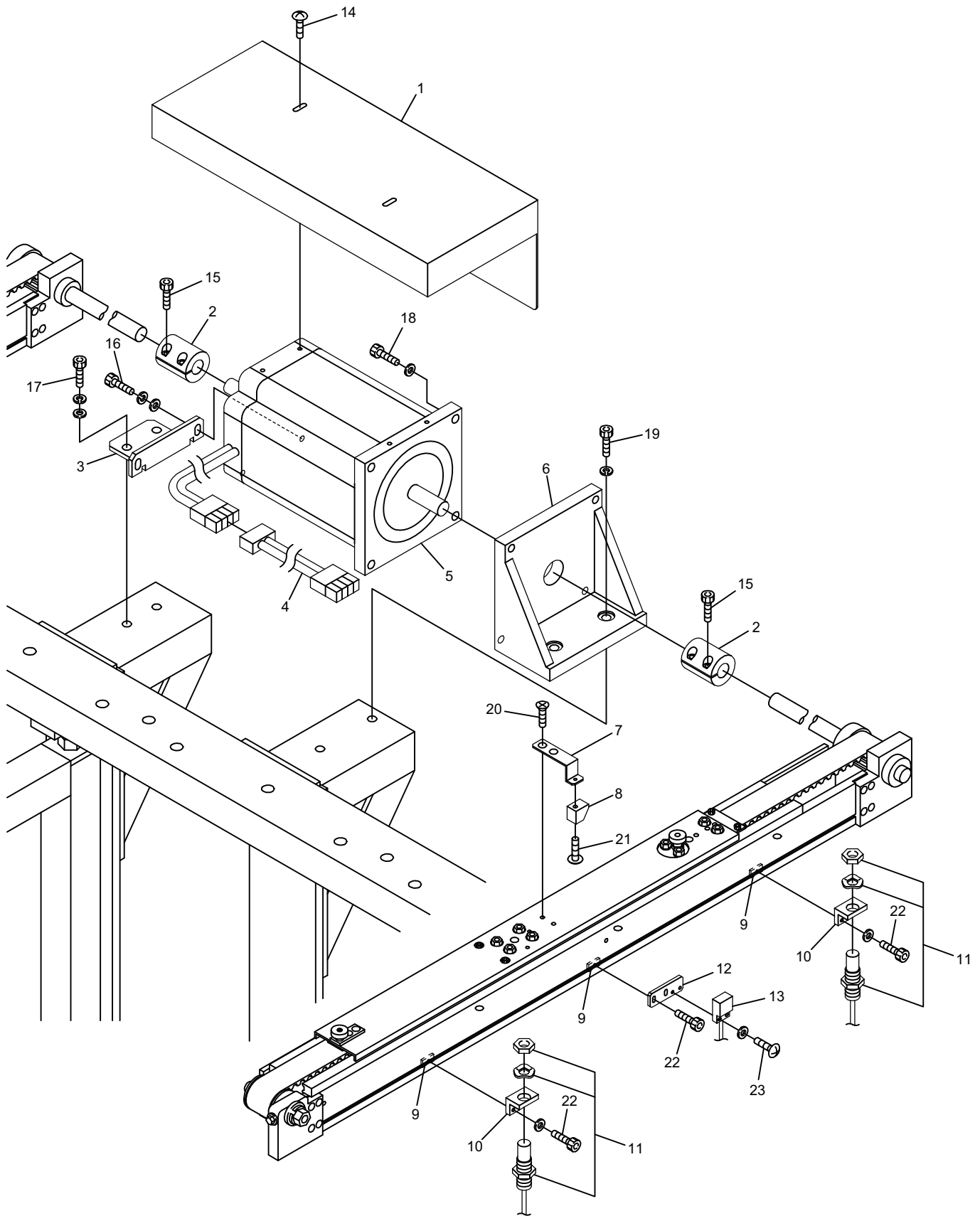


BENS-YN/YS
BENR-YN/YS

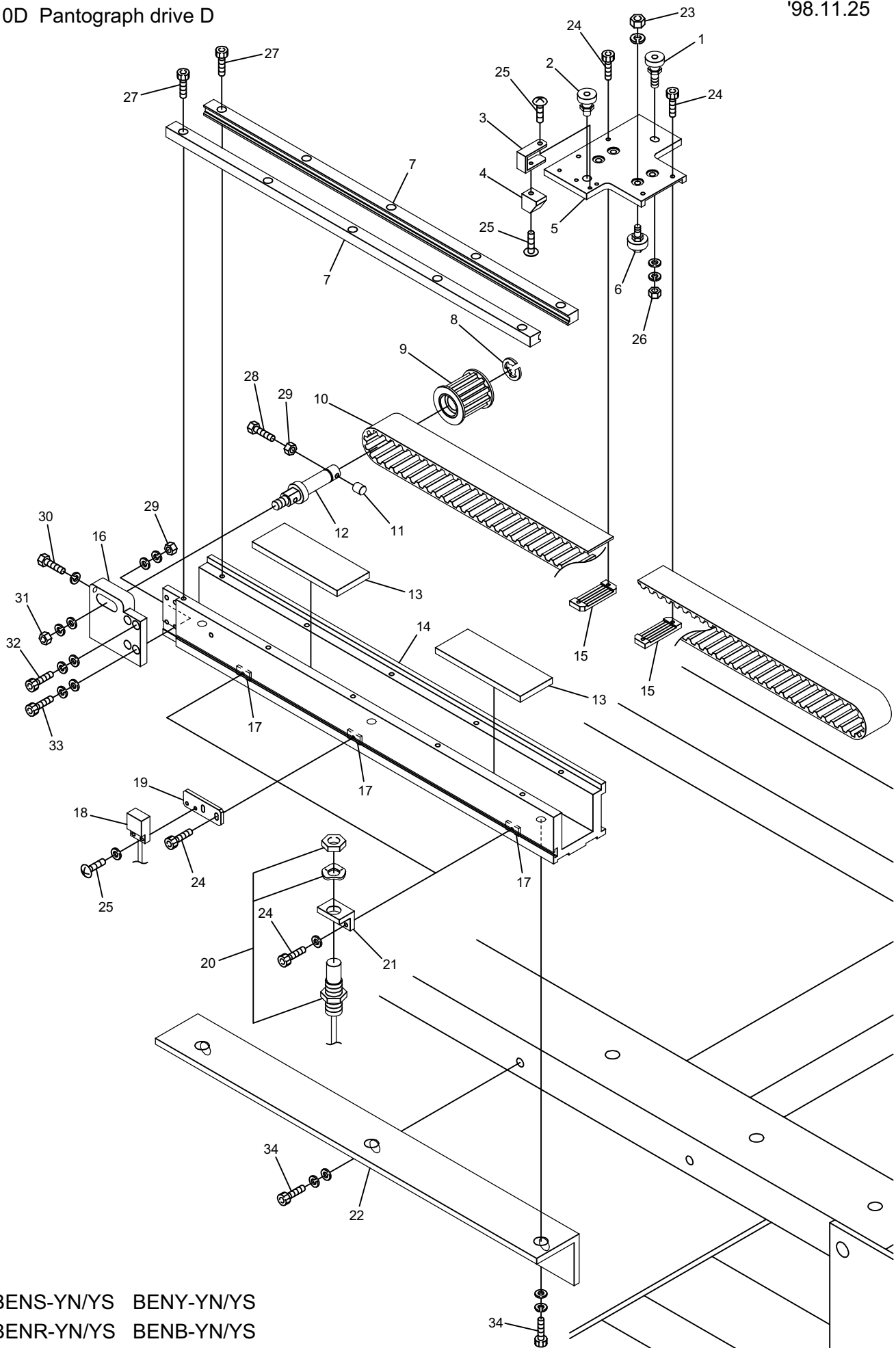


BENS-YN/YS BENS-YN/YS-L BENY-YN/YS
 BENR-YN/YS BENR-YN/YS-L BENB-YN/YS

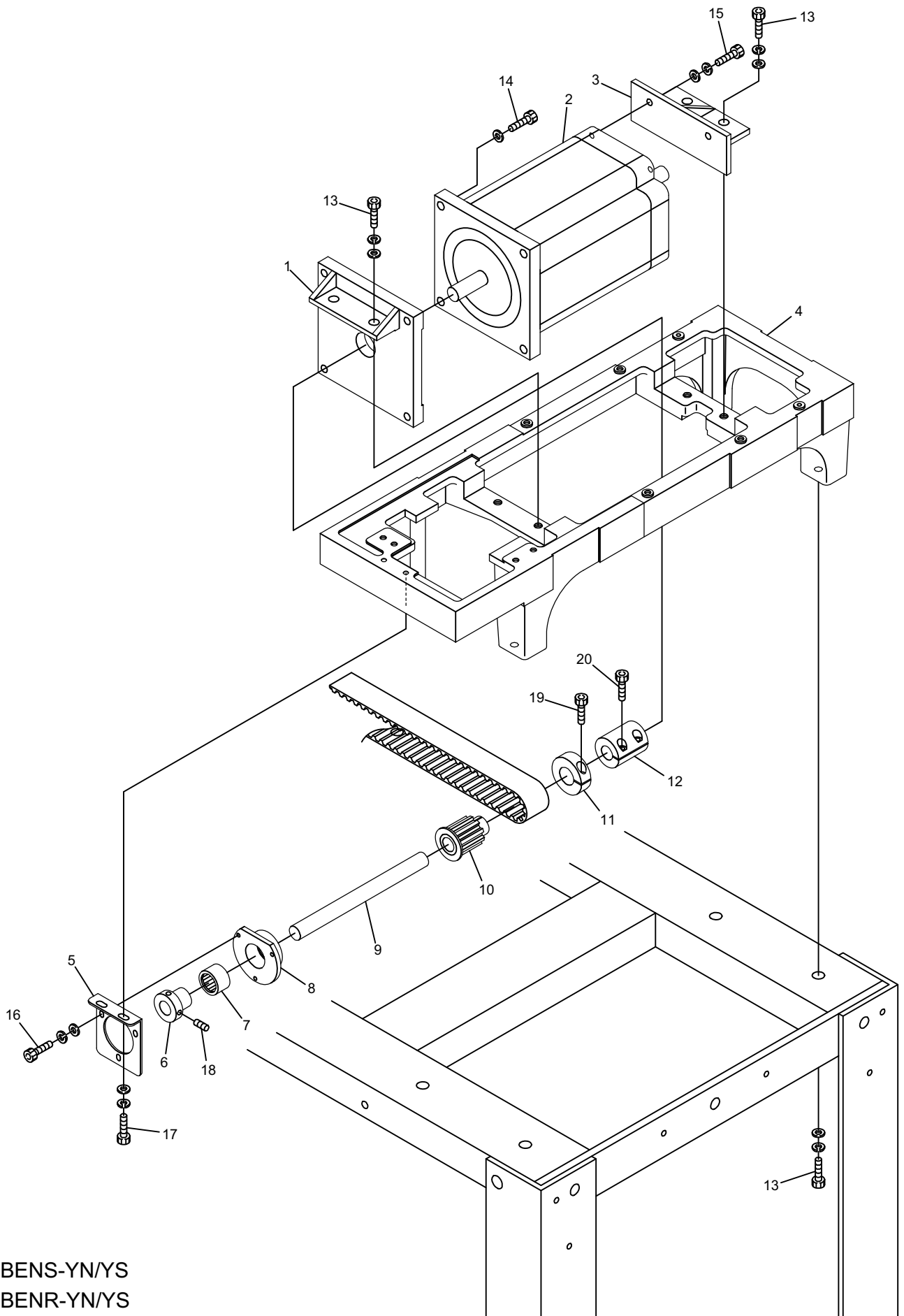
ITEM	LIST NO.	DESCRIPTION	Q'TY	NOTE
1	KN483450	V-guide rail(L=660)	R×2	
2	HV480070	Pulse motor connecting shaft support	2	
3		H-pulse motor connecting shaft f15	2	
4	HH481980	19 dia. clamping	R×1	
5	HV480110	Free span belt(300S5M)	R×1	
6	HV480040	Pantograph driving pulley(Rear)	R×1	
7	A9011063	Needle bearing(TLA2016)	R×1	
8	KR480050	H/V-guide pulley bracket(Rear)	R×1	
9	HH481970	Pulse motor connecting shaft collar	R×1	
10	HP483370	Guide rail bearing pin a'ssy	R×1	
11	HP483391	Guide rail bearing pin a'ssy(H)	R×1	
12	KN483442	H-member connectig channel	R-1	
	KN483460	H-member connectig channel	1	For pantograph stop
13	KN482871	H-roller base(Rear)	R×1	
14	HP482950	Roller pin a'ssy A	R×8	
15	KN482880	H-roller base(Front)	R×1	
16	HP482940	Timing belt set rack(5M)	R×2	
17	KN480061	Raile base felt(100×38×6)	R×2	
18	KV480010	H-guide rail base(BENS)	R×1	
19	A9012052	E-ring(f10)	R×1	
20	HV480050	Pantograph driving pulley(Front)	R×1	
21	HH482110	Pulley shaft bolt cap	R×1	
22	HH481991	Timing pulley shaft	R×1	
23	KR480060	H/V-guide pulley bracket(Front)	R×1	
24		Hex.socket bolt M4×15		
25		Pierce screw 5×23		
26		Hex.socket bolt M5×18		
27		Hex.nut M4		
28		Hex.socket set screw M5×8		
29		Hex.socket bolt M4×20		
30		Hex.socket button bolt M4×8		
31		Flush screw M4×8(Undercut)		
32		Hex.socket button bolt M4×5		
33		Hex.socket bolt M3×6		
34		Hex.nut M5		
35		Hex.bolt M4×35		
36		Hex.bolt M4×25		
37		Hex.socket bolt M4×18		
38		Hex.nut M8		
39		Hex.socket bolt M4×22		
40		Hex.socket bolt M8×22(With washers)		



BENS-YN/YS BENS-YN/YS-L
BENR-YN/YS BENR-YN/YS-L

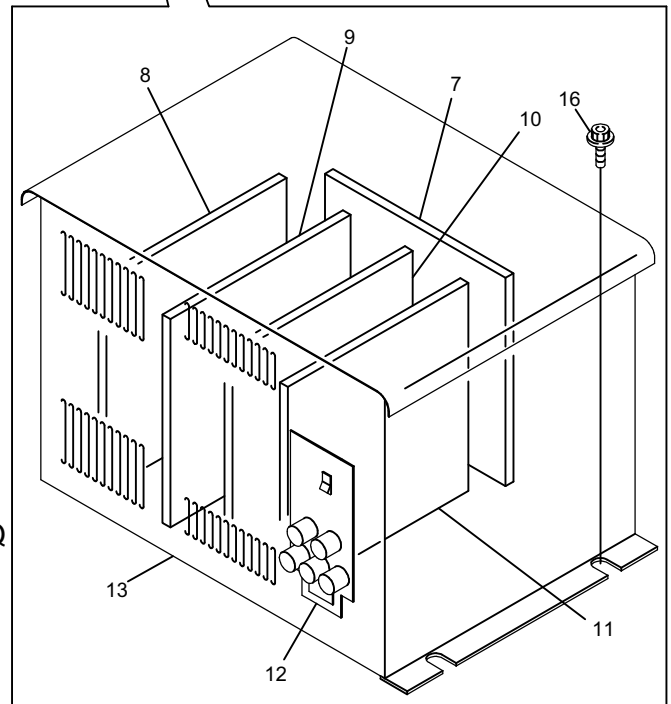
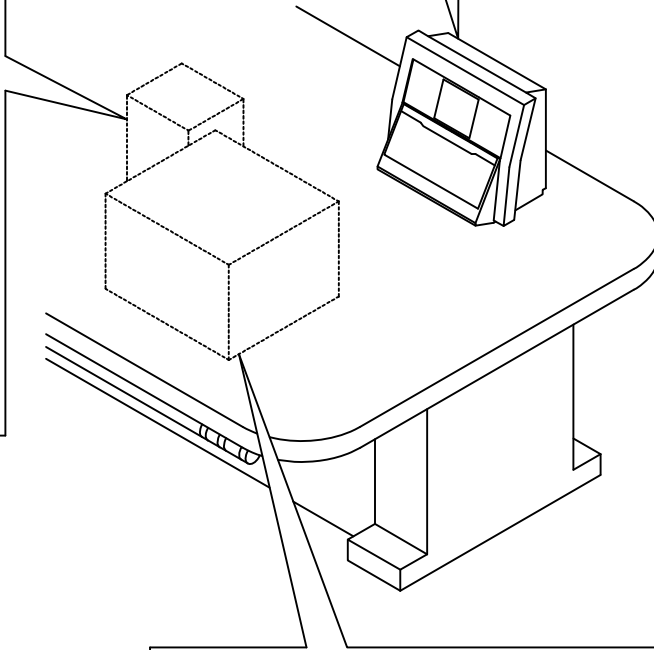
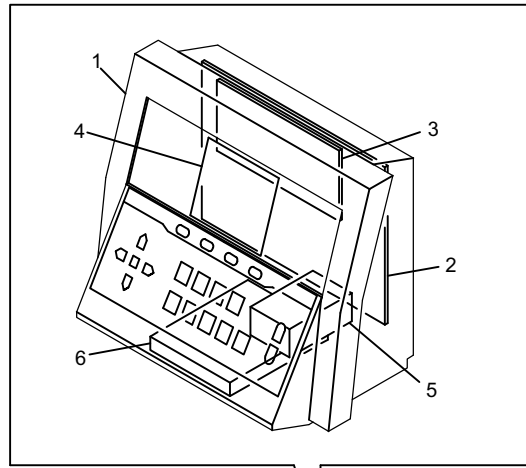
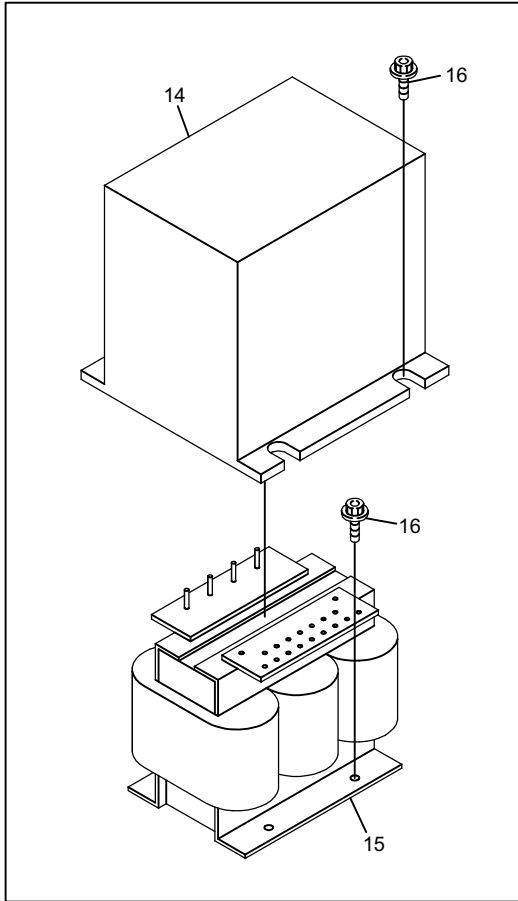


BENS-YN/YS BENY-YN/YS
 BENR-YN/YS BENB-YN/YS



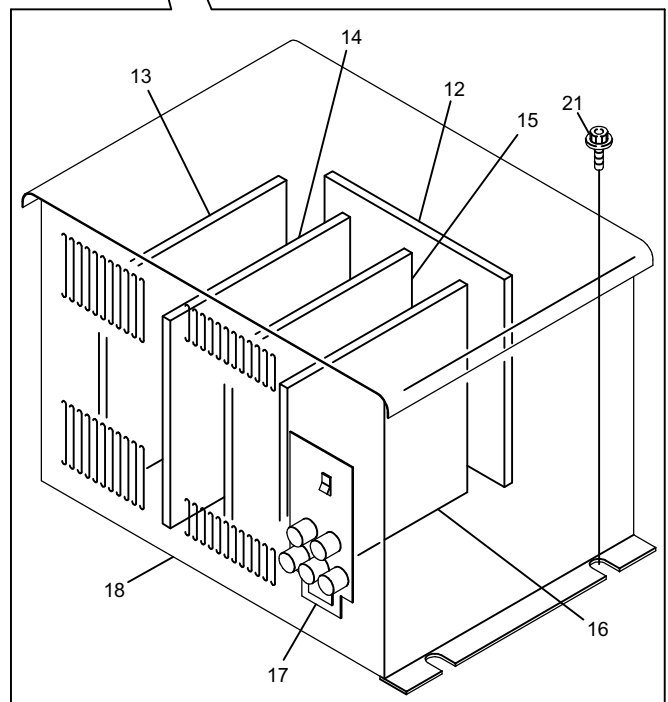
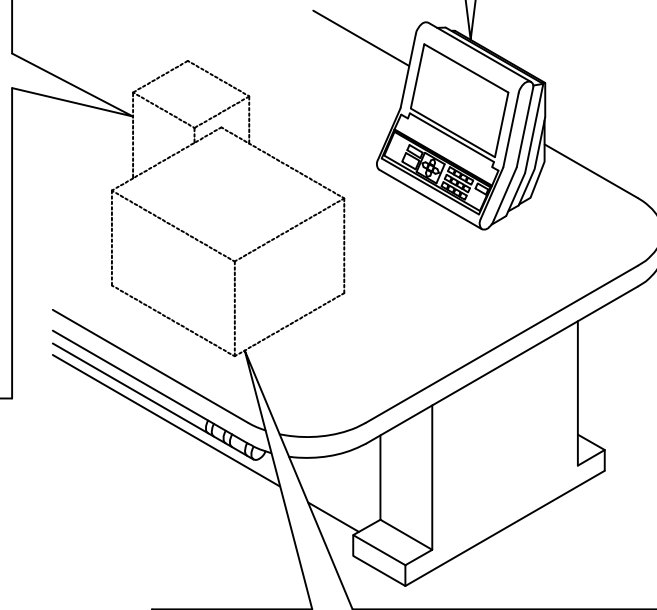
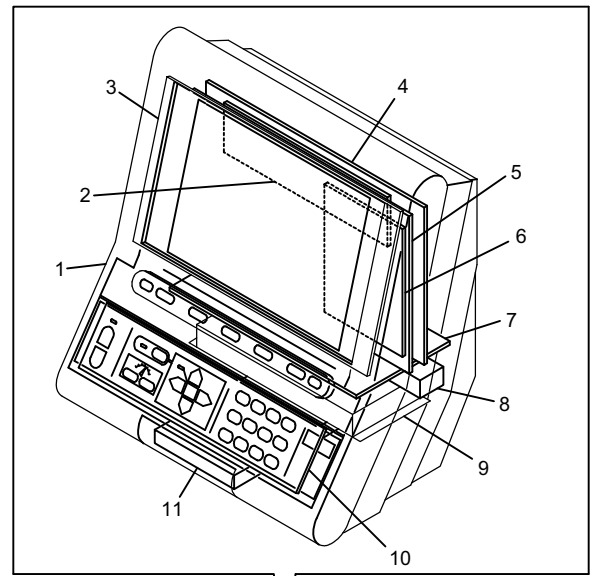
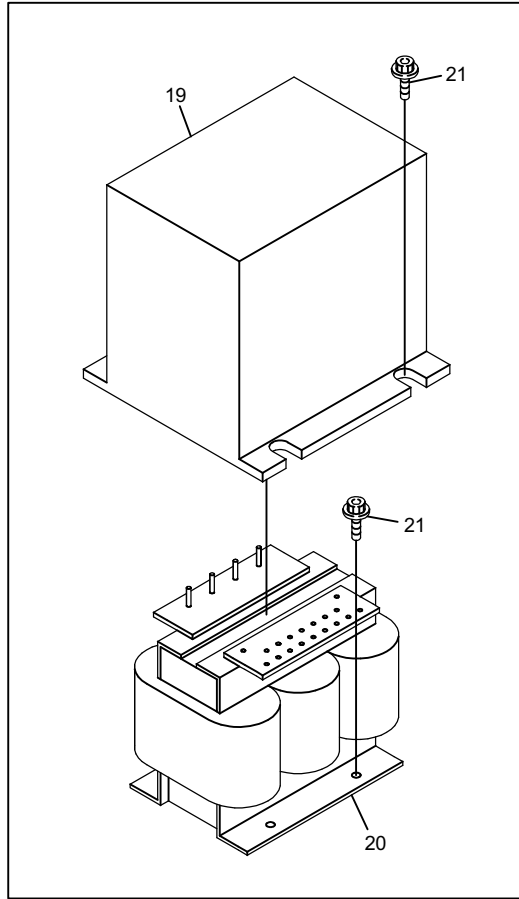
BENS-YN/YS
BENR-YN/YS

11A-1 Control A (NS)

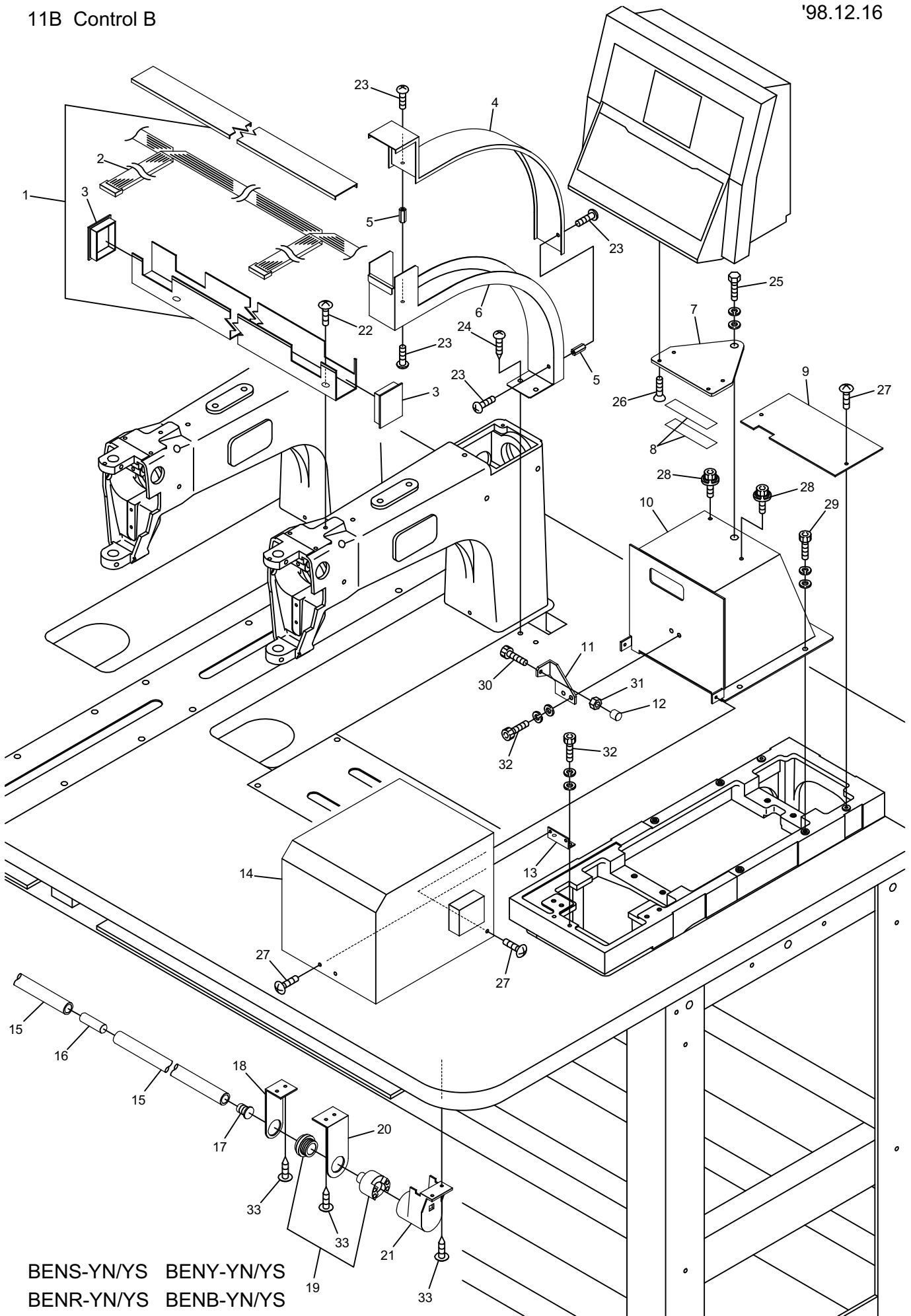


BENS-YN/YS BENS-YN/YS-L BENSME-ZN/ZQ
 BENSH-YN/YS BENSH-YN/YS-S
 BENSH-YN/YS-B BENSH-YN/YS-BS
 BENSH-YN-KS BENSHE-YN/YS
 BENSH-ZQ-AS BENSH-ZQ-B BENSH-ZQ-BS

11A-2 Control A (NR)

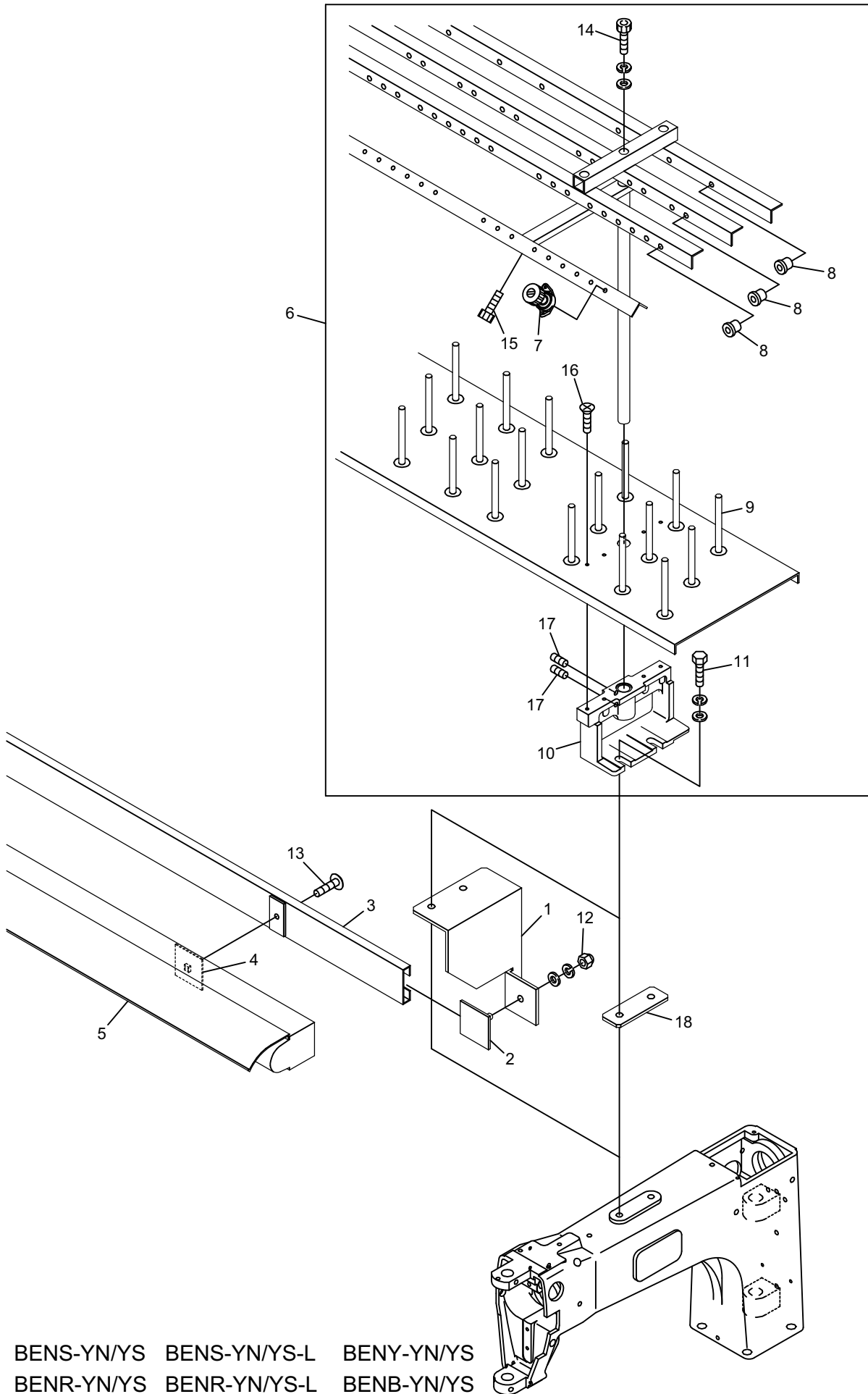


BENR-YN/YS BENR-YN/YS-L BENRME-ZN/ZQ
 BENRH-YN/YS BENRH-YN/YS-S
 BENRH-YN/YS-B BENRH-YN/YS-BS
 BENRH-YN-KS BENRHE-YN/YS
 BENRH-ZQ-AS BENRH-ZQ-B BENRH-ZQ-BS



BENS-YN/YS BENY-YN/YS
BENR-YN/YS BENB-YN/YS

12 Accessories



BENS-YN/YS BENS-YN/YS-L BENY-YN/YS
 BENR-YN/YS BENR-YN/YS-L BENB-YN/YS

