

PARTS LIST

CAP FRAME

Table of Contents

- CAP FRAME BASE (FOR TME-DC, TMFD-C, TMFN-C, TMFXIII-C, TMFXV-C)... *WH-1*
- CAP FRAME BASE (FOR TMFXII-C, TMFXV-IIC)..... *WH-2*
- CAP FRAME BASE (FOR TMEX-C)..... *WH-3*
- BASE FRAME 1A..... *WH-4-1a*
- BASE FRAME 1B (FOR TCW-300B)..... *WH-4-1b*
- BASE FRAME 2..... *WH-4-2*
- WIDE CAP FRAME (TCW-360/300B)..... *WH-5*
- WIDE CAP FRAME (TCW-300)..... *WH-6*
- SEMI-WIDE CAP FRAME (TCW-180)..... *WH-7*
- SEMI-WIDE CAP FRAME (TCW-180R)..... *WH-8*
- SETTING FRAME 1..... *WH-9-1*
- SETTING FRAME 2..... *WH-9-2*

[Explanation of Marks #'s and *'s at End of Part No.1]

◆ Please specify, in the following manner, your machine model, manufacturing number and embroidery space when you order us with the parts having ***** at the end of the part No.:

Ex.	TMFXII-C904	(450X500)S	No.01234
	[Model]	[Emb. Space]	[Mfg. No.]

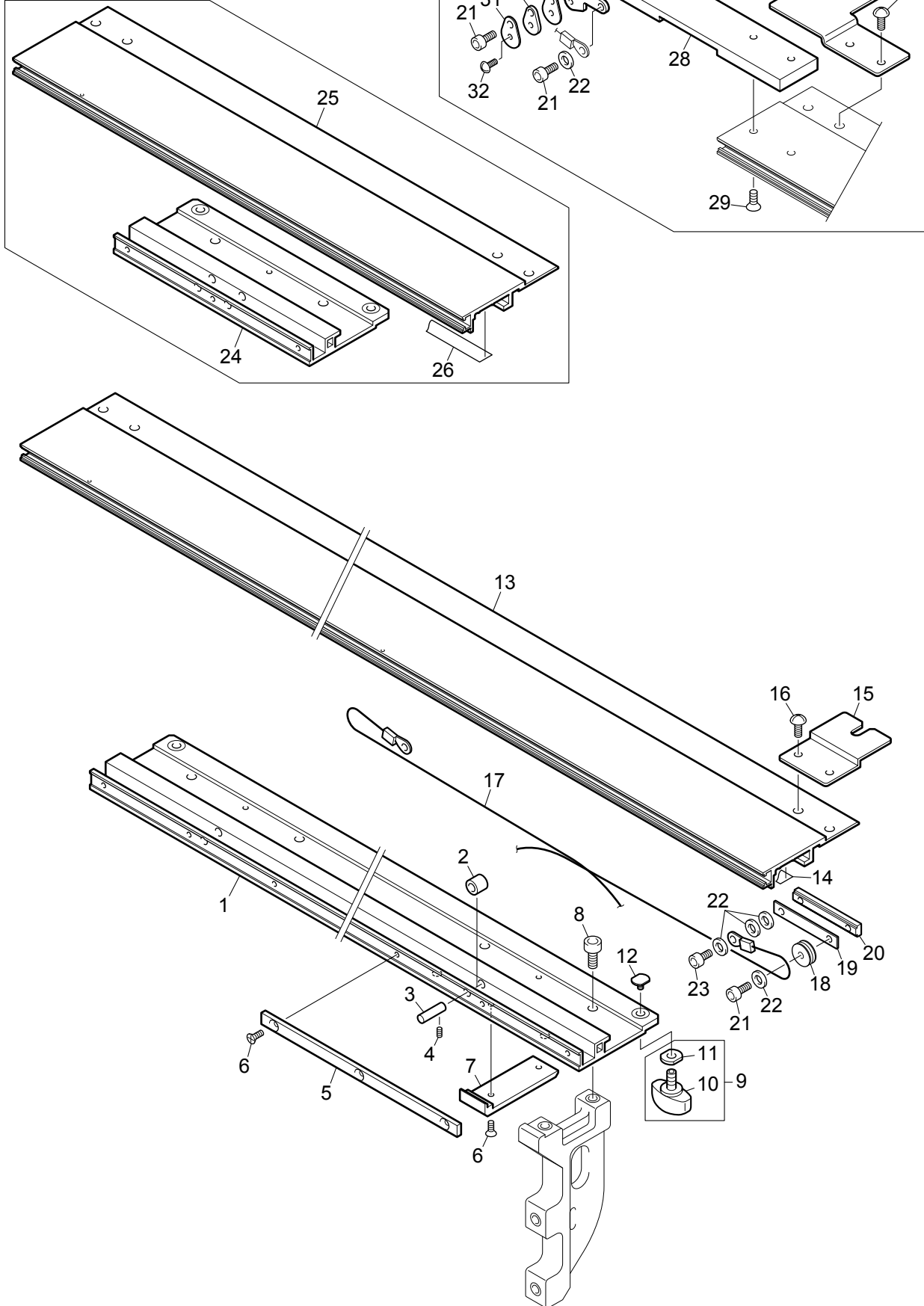
◆ Please specify the number of needles on your machine's head in your parts order by changing the marks ##### into one of the 4-digit numbers below:

Ex.	The part Number, FN012345####	
	4-digit Numbers	Machine Type
	0300.....	3-needle machine
	0600.....	6-needle machine
	0900.....	9-needle machine
	1200.....	12-needle machine
	1500.....	15-needle machine

CAP FRAME BASE

For X-axis Emb. Space 275mm

For the Last Head of the Odd-numbered Head M/C



CAP FRAME BASE

WH-1

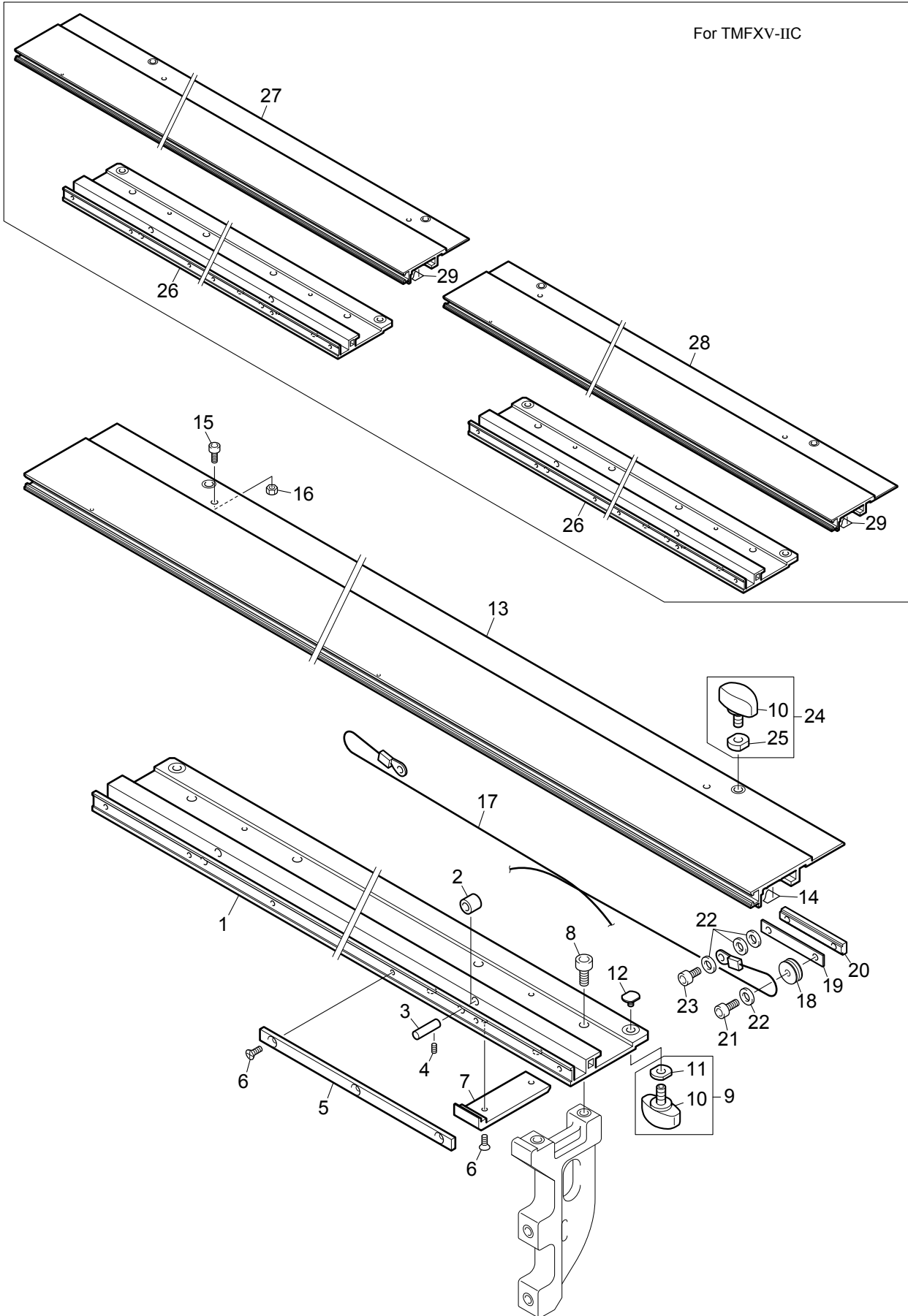
Ref.No.	Description	Part No.	Remark
1	Cap Frame Base	WH0A0100****	
1	Cap Frame Base	WH0A1800****	For the Last Head of M/C with X-axis Emb. Space 275mm
2	Needle Bearing	BPTLA59Z0000	
3	Bearing Pin	WH0A04000000	
4	Hexagon Socket Head Set Screw	SS8204060TN0	M4*6
5	Spacer	WH0A03000000	
6	Countersunk Head Screw	SS1103050SD0	M3*5
7	Skid Plate	WH0A09000000	
8	Hexagon Socket Head Cap Screw	SS6205120TN0	M5*12
9	Frame Set Screw B Set	WH0A10S10000	
10	Frame Set Screw B	WH0A10010000	
11	Set Screw Spacer A	WH0A12000000	
12	Presser Screw	GS0105000000	
13	Slide Angle	WH0A0200****	
13	Slide Angle	WH0A19000000	For the Last Head of M/C with X-axis Emb. Space 275mm
14	Rail Plate	WH0A0600****	
14	Rail Plate	WH0A20000000	For the Last Head of M/C with X-axis Emb. Space 275mm
15	Connecting Plate	WH0A11000000	
16	Truss Head Screw	SS0104060SD0	M4*6
17	Drive Wire	WH0126000000	
17	Drive Wire	WH0611000000	For TCW-300B
18	Wire Guide Ring	WH0A05000000	
19	Guide Plate	WH0A07000000	
19	Guide Plate	WH0125000000	For X-axis Emb. Space 275mm
20	Slide Nut	WH0A08000000	
20	Slide Nut	WH0127000000	For X-axis Emb. Space 275mm
21	Hexagon Socket Head Cap Screw	SS6204120TN0	M4*12
22	Plain Washer	WSP04A008SD0	M4*10*0.8t
23	Hexagon Socket Head Cap Screw	SS6204080TN0	M4*8
24	Cap Frame Base	WH0A15000000	
25	Slide Angle	WH0A16000000	
26	Rail Plate	WH0A17000000	
27	Connecting Plate B	WH0A21000000	
28	Wire Fixing Base	WH0A22000000	
29	Countersunk Head Screw	SS1104100SD0	M4*10
30	Wire Guide	WH0A23000000	
31	Guide Plate	WH0A24000000	
32	Truss Head Screw	SS0103050SD0	M3*5
33	Guide Base	WH0A25000000	
34			
35			
36			
37			
38			
39			
40			
41			
42			
43			
44			

Note: As for parts with marks # or *, please follow our instructions on Table of Contents in your parts order.

(EE03)

CAP FRAME BASE

For TMFXV-IIC



CAP FRAME BASE

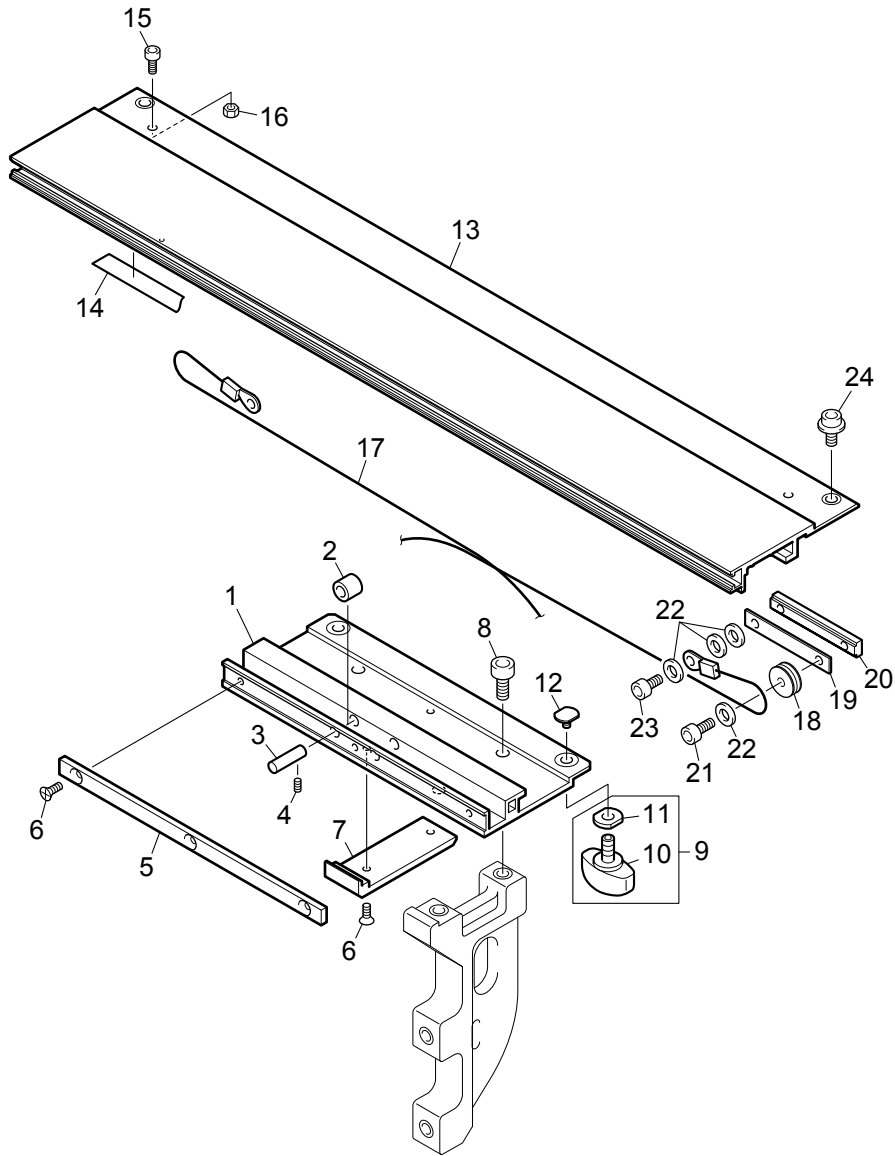
WH-2

Ref.No.	Description	Part No.	Remark
1	Cap Frame Base	WH0A15000000	For TMFXII-C 1-Head M/C
1	Cap Frame Base	WH0A01000500	For TMFXII-C 2-Head M/C
1	Cap Frame Base	WH053200****	For TMFXII-C 4-, 6-Head M/C
2	Needle Bearing	BPTLA59Z0000	
3	Bearing Pin	WH0A04000000	
4	Hexagon Socket Head Set Screw	SS8204060TN0	M4*6
5	Spacer	WH0A03000000	
6	Countersunk Head Screw	SS1103050SD0	M3*5
7	Skid Plate	WH0A09000000	
8	Hexagon Socket Head Cap Screw	SS6205120TN0	M5*12
9	Frame Set Screw B Set	WH0A10S10000	
10	Frame Set Screw B	WH0A10010000	
11	Set Screw Spacer A	WH0A12000000	
12	Presser Screw	GS0105000000	
13	Slide Angle	WH053000****	
14	Rail Plate	WH0A17000000	For 1-Head M/C
14	Rail Plate	WH0A06000500	For 2-Head M/C
14	Rail Plate	WH053300****	For 4-, 6-Head M/C
15	Hexagon Socket Head Cap Screw	SS6204050TD0	M4*5
16	Hexagon Nut	SSN004SD0000	M4 Type 1
17	Drive Wire	WH0126000000	
17	Drive Wire	WH0611000000	For TCW-300B
18	Wire Guide Ring	WH0A05000000	
19	Guide Plate	WH0A07000000	
20	Slide Nut	WH0A08000000	
21	Hexagon Socket Head Cap Screw	SS6204120TN0	M4*12
22	Plain Washer	WSP04A008SD0	M4*10*0.8t
23	Hexagon Socket Head Cap Screw	SS6204080TN0	M4*8
24	Frame Set Screw C Set	WH0531000000	
25	Set Screw Spacer B	WH0534000000	
26	Cap Frame Base	JE0352000601	For 6-Head 500P M/C
26	Cap Frame Base	WH0532004360	For 8-Head 360P M/C
27	Slide Angle L	JE0351L00601	For 6-Head 500P M/C
27	Slide Angle L	JE0351L00801	For 8-Head 360P M/C
28	Slide Angle R	JE0351R00601	For 6-Head 500P M/C
28	Slide Angle R	JE0351R00801	For 8-Head 360P M/C
29	Rail Plate	JE0353000601	For 6-Head 500P M/C
29	Rail Plate	WH0533000436	For 8-Head 360P M/C
30			
31			
32			
33			
34			
35			
36			
37			
38			
39			
40			
41			

Note: As for parts with marks # or *, please follow our instructions on Table of Contents in your parts order.

(EE03)

CAP FRAME BASE (FOR TMEX-C)



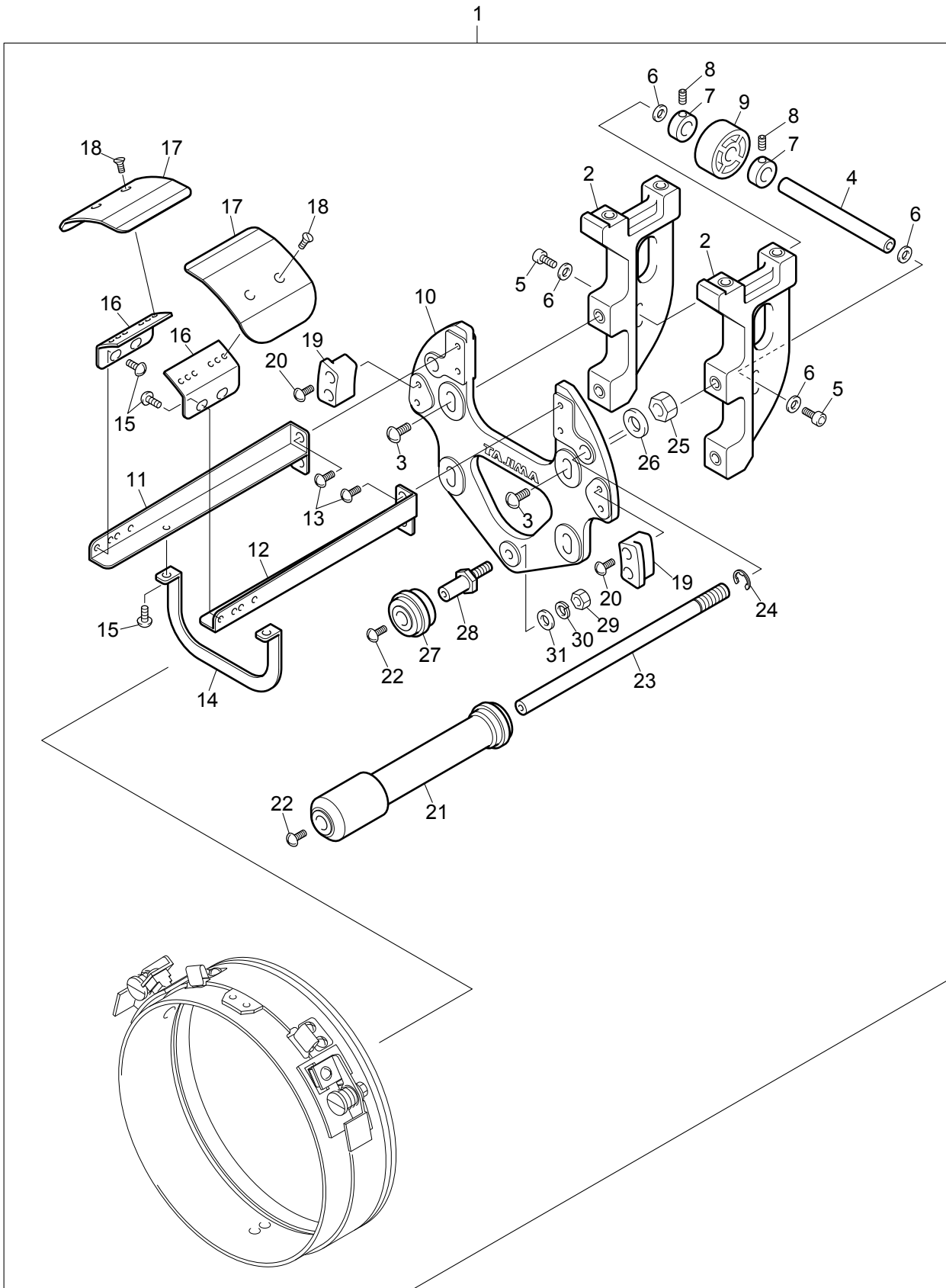
CAP FRAME BASE (FOR TMEX-C)

WH-3

Ref.No.	Description	Part No.	Remark
1	Cap Frame Base	EC0208000000	
2	Needle Bearing	BPTLA59Z0000	
3	Bearing Pin	WH0A04000000	
4	Hexagon Socket Head Set Screw	SS8204060TN0	M4*6
5	Spacer	WH0A03000000	
6	Countersunk Head Screw	SS1103050SD0	M3*5
7	Skid Plate	WH0A09000000	
8	Hexagon Socket Head Cap Screw	SS6205120TN0	M5*12
9	Frame Set Screw D Set	EC0210000000	
10	Frame Set Screw B	WH0A10010000	
11	Set Screw Spacer	EC0211000000	
12	Presser Screw	GS0105000000	
13	Slide Angle	EC0207000000	
13	Slide Angle	EC0N03000000	For TMEX-C101
14	Rail Plate	WH0A17000000	
15	Hexagon Socket Head Cap Screw	SS6204050TD0	M4*5
16	Hexagon Nut	SSN004SD0000	M4 Type 1
17	Drive Wire	WH0126000000	
17	Drive Wire	WH0611000000	For TCW-300B
18	Wire Guide Ring	WH0A05000000	
19	Guide Plate	WH0A07000000	
20	Slide Nut	WH0A08000000	
21	Hexagon Socket Head Cap Screw	SS6204120TN0	M4*12
22	Plain Washer	WSP04A008SD0	M4*10*0.8t
23	Hexagon Socket Head Cap Screw	SS6204080TN0	M4*8
24	Hexagon Socket Head Flange Screw	WH0515000000	
25			
26			
27			
28			
29			
30			
31			
32			
33			
34			
35			
36			
37			
38			
39			
40			
41			
42			
43			
44			
45			
46			
47			
48			

Note: As for parts with marks # or *, please follow our instructions on Table of Contents in your parts order.

(EE03)



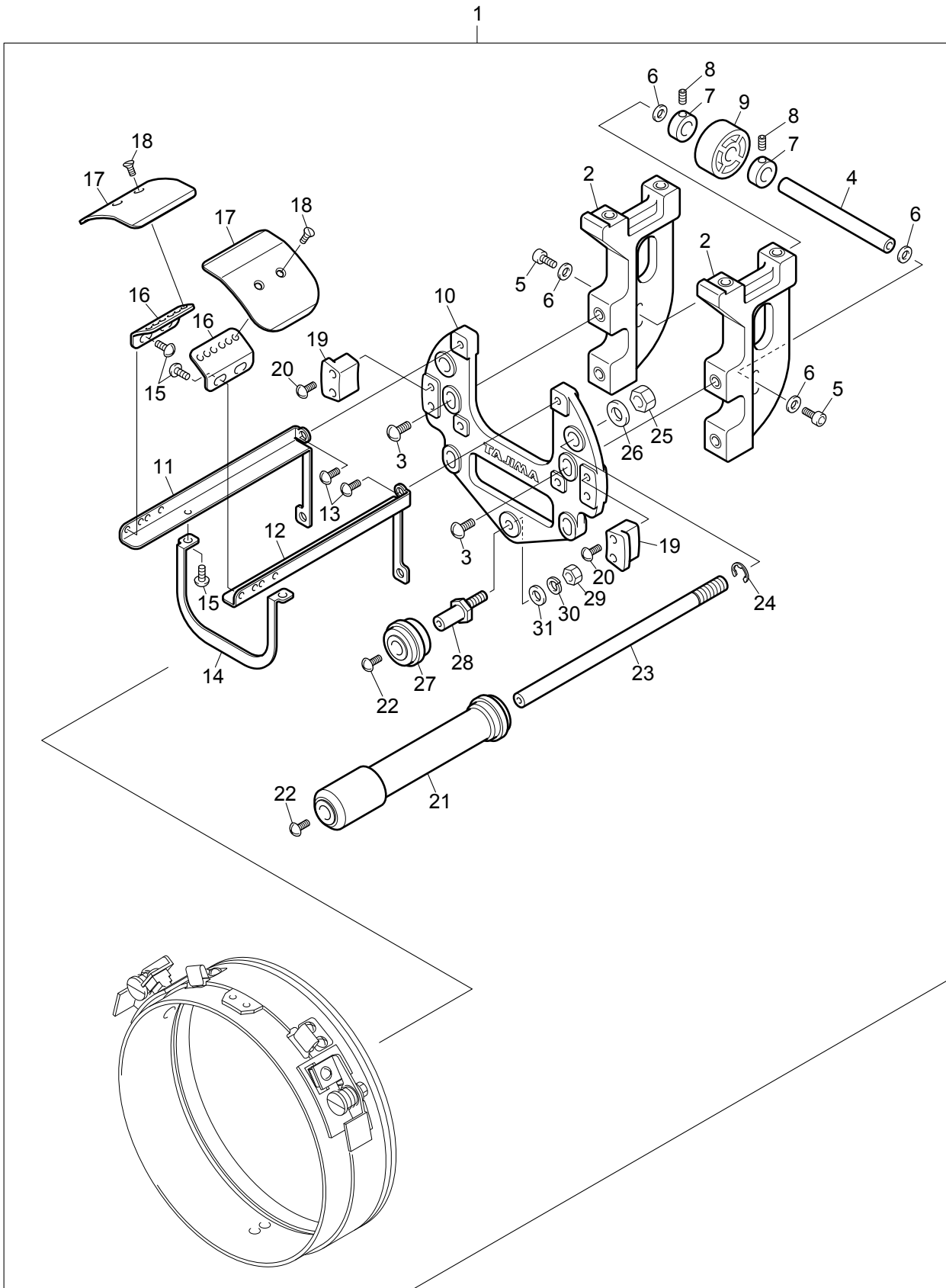
BASE FRAME 1A

WH-4-1a

Ref.No.	Description	Part No.	Remark
1	Base Frame Complete Set	HFU012020000	
2	Base Bracket	WH0A13000000	
3	Truss Head Screw	SS0105150SD0	M5*15
4	Base Holder Shaft	WH0204000000	
5	Hexagon Socket Head Cap Screw	SS6204120TN0	M4*12
6	Plain Washer	WSP04C010SC0	M4*12*1t
7	8mm Dia. Collar	WH0231000000	
8	Hexagon Socket Head Set Screw	SS8204040TN0	M4*4
9	Base Holding Roller	C90510010000	
10	Drive Base	EC0G18010000	
11	Guide Base L	WH0234000000	
12	Guide Base R	WH0235000000	
13	Truss Head Screw	SS0104080SD0	M4*8
14	Reinforcing Plate	EC0G17000000	
15	Truss Head Screw	SMF8020540CL	9/64*40*4
16	Guide Bracket	WH0209000000	
17	Needle Plate Guide	WH0A14000000	
18	Round Countersunk Head Screw	SMC5000535CL	9/64*40*3.5
19	Inner Groove Ring Guide	WH0222010000	
20	Truss Head Screw	SS0104200SD0	M4*20
21	Guide Roller A	WH0236010000	
22	Truss Head Screw	SS0104060SD0	M4*6
23	Guide Roller Shaft	WH0237000000	
24	E-ring	BPE600000000	
25	Hexagon Nut	SSN008SC0000	M8 Type 1
26	Plain Washer	WSP08J016SC0	M8*18*1.6t
27	Guide Roller B	WH0217010000	
28	Eccentric Guide Pin	WH0219000000	
29	Hexagon Nut	SSN005SC0000	M5 Type 1
30	Spring Washer	WSS050000KC0	M5
31	Plain Washer	WSP05C008SC0	M5*12*0.8t
32			
33			
34			
35			
36			
37			
38			
39			
40			
41			
42			
43			
44			
45			
46			
47			
48			
49			
50			

Note: As for parts with marks # or *, please follow our instructions on Table of Contents in your parts order.

(EE03)



BASE FRAME 1B (FOR TCW-300B)

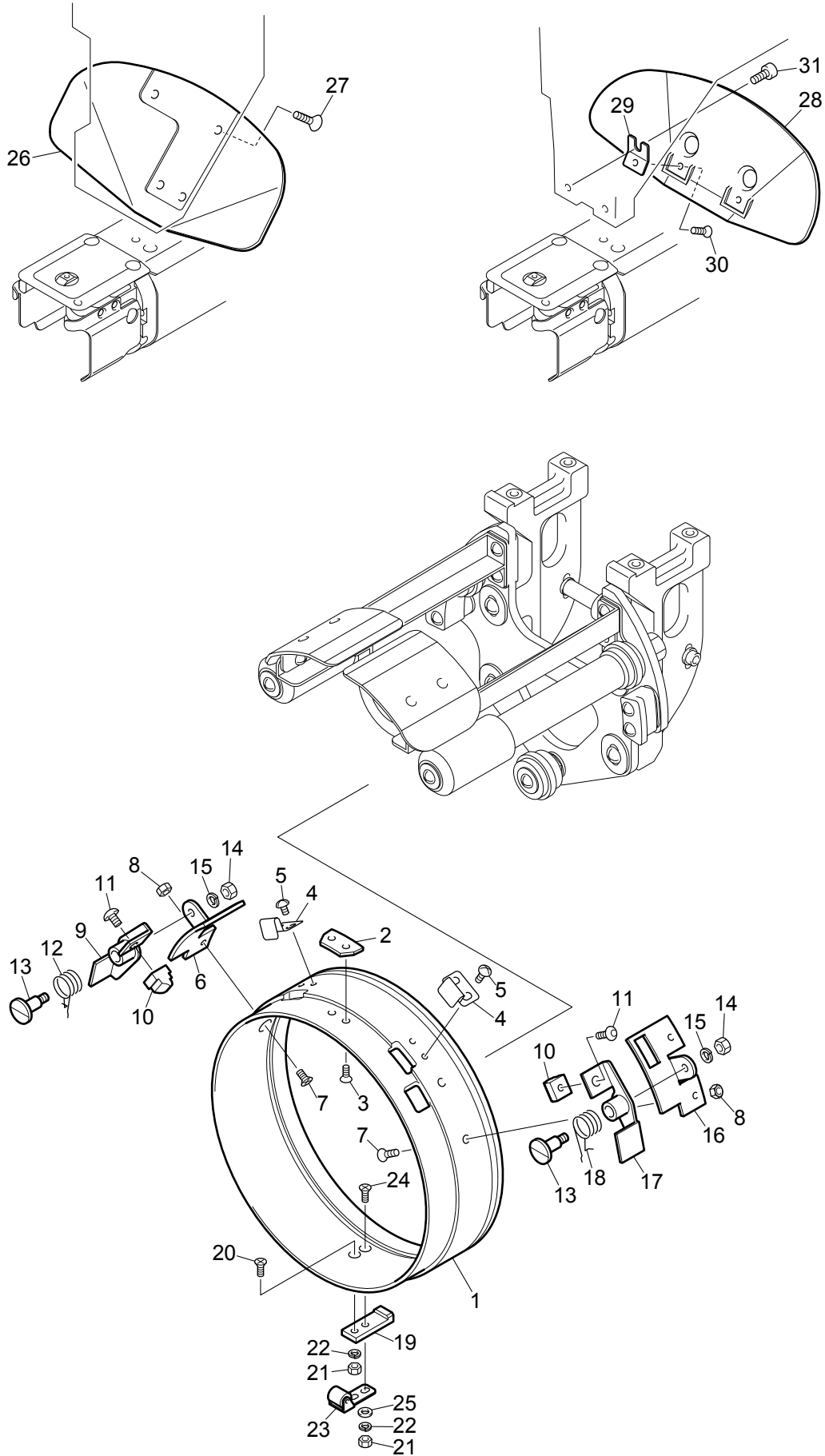
WH-4-1b

Ref.No.	Description	Part No.	Remark
1	Base Frame Complete Set	HFU022000000	
2	Base Bracket	WH0603000000	
3	Truss Head Screw	SS0105150SD0	M5*15
4	Base Holder Shaft	WH0204000000	
5	Hexagon Socket Head Cap Screw	SS6204120TN0	M4*12
6	Plain Washer	WSP04C010SC0	M4*12*1t
7	8mm Dia. Collar	WH0231000000	
8	Hexagon Socket Head Set Screw	SS8204040TN0	M4*4
9	Base Holding Roller	C90510010000	
10	Drive Base	WH0602000000	
11	Guide Base L	WH0604L00000	
12	Guide Base R	WH0604R00000	
13	Truss Head Screw	SS0104080SD0	M4*8
14	Reinforcing Plate	WH0607000000	
15	Truss Head Screw	SMF8020540CL	9/64*40*4
16	Guide Bracket	WH0608000000	
17	Needle Plate Guide	WH0609000000	
18	Round Countersunk Head Screw	SMC5000535CL	9/64*40*3.5
19	Inner Groove Ring Guide	WH0606010000	
20	Truss Head Screw	SS0104200SD0	M4*20
21	Guide Roller A	WH0612000000	
22	Truss Head Screw	SS0104060SD0	M4*6
23	Guide Roller Shaft	WH0237000000	
24	E-ring	BPE600000000	
25	Hexagon Nut	SSN008SC0000	M8 Type 1
26	Plain Washer	WSP08J016SC0	M8*18*1.6t
27	Guide Roller B	WH0217010000	
28	Eccentric Guide Pin	WH0219000000	
29	Hexagon Nut	SSN005SC0000	M5 Type 1
30	Spring Washer	WSS050000KC0	M5
31	Plain Washer	WSP05C008SC0	M5*12*0.8t
32			
33			
34			
35			
36			
37			
38			
39			
40			
41			
42			
43			
44			
45			
46			
47			
48			
49			
50			

Note: As for parts with marks # or *, please follow our instructions on Table of Contents in your parts order.

(EE03)

BASE FRAME 2

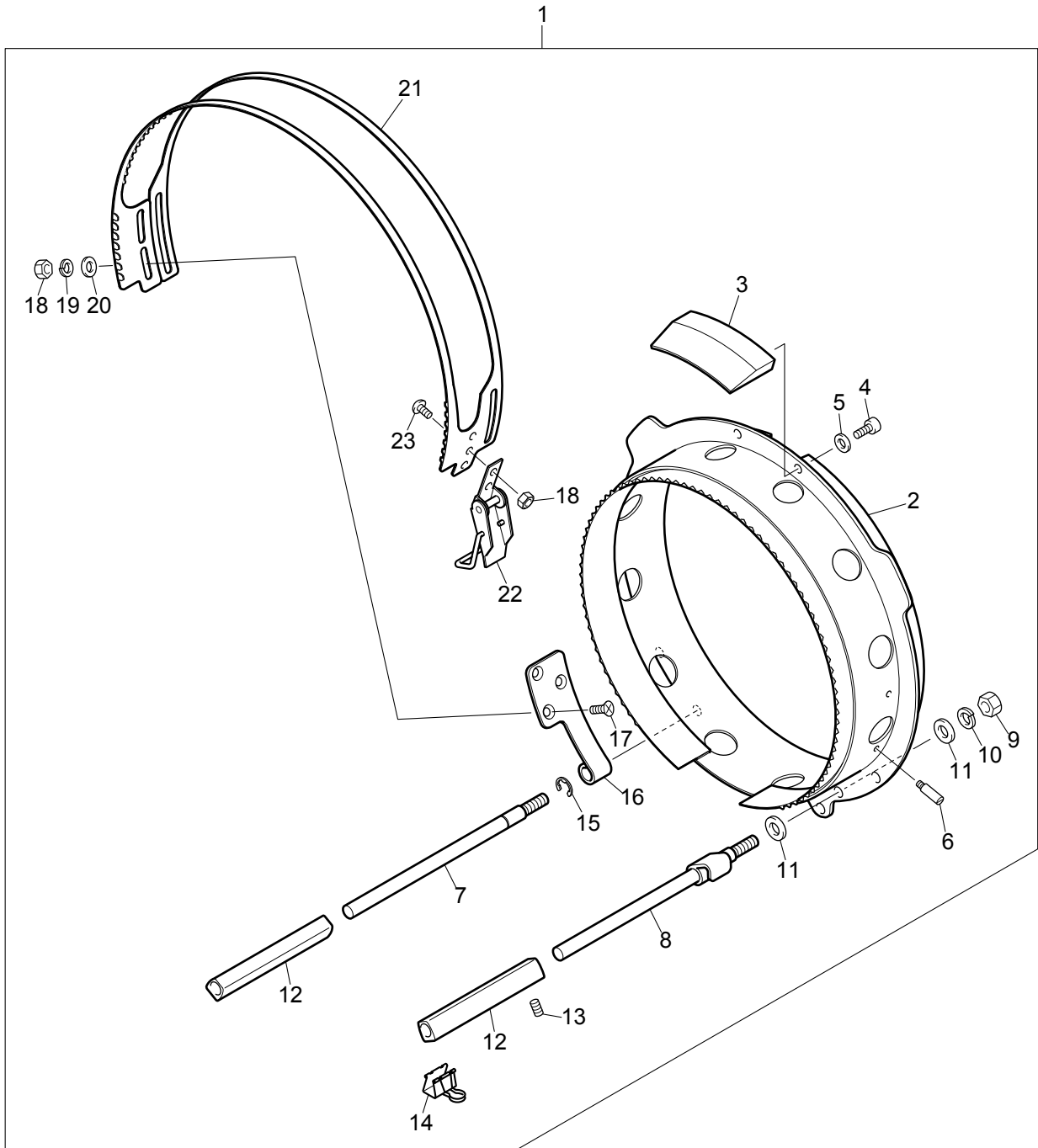


BASE FRAME 2

WH-4-2

Ref.No.	Description	Part No.	Remark
1	Drive Ring	WH0213000000	
1	Drive Ring	WH0601000000	For TCW-300B
2	Center Block	WH0203000000	
2	Center Block	WH0610000000	For TCW-300B
3	Round Countersunk Head Screw	SMC5000535CL	9/64*40*3.5
4	Presser Spring	WH0212000000	
5	Truss Head Screw	SS0103040SD0	M3*4
6	Lever Bracket L	WH0205000000	
6	Lever Bracket L	WH0605L00000	For TCW-300B
7	Countersunk Head Screw	SS1104080MZ0	M4*8
8	Hexagon Nut	SSN204SD0000	M4 Type 3
9	Releasing Lever L	WH0201000000	
10	Lock Pin	WH0207000000	
11	Hexagon Socket Head Button Screw	SS3204060SC0	M4*6
12	Lever Spring L	WH0224000000	
13	Lever Pin	WH0229000000	
14	Hexagon Nut	SSN004SD0000	M4 Type 1
15	Spring Washer	WSS040000KC0	M4
16	Lever Bracket R	WH0206000000	
16	Lever Bracket R	WH0605R00000	For TCW-300B
17	Releasing Lever R	WH0202000000	
18	Lever Spring R	WH0225000000	
19	Wire Fixing Fittings	WH0123000000	
20	Countersunk Head Screw	SS1103120MZ0	M3*12
21	Hexagon Nut	SSN003SD0000	M3 Type 1
22	Spring Washer	WSS030000KD0	M3
23	Base Frame Presser Roller	WH0232000000	
24	Countersunk Head Screw	SS1103150MZ0	M3*15
25	Plain Washer	WSP038005SD0	M3*8*0.5t
26	Cap Frame Guide	WH0221020000	For TMFD-C, TMFXII-C, TMFXIII-C, TMFXV-C, TMFXV-IIC
27	Countersunk Head Screw	SS1103080SD0	M3*8
28	Cap Frame Guide	EC0G02010000	For TME-DC, TMEX-C
29	Guide Fixture	EC0G30000000	
30	Countersunk Head Screw	SS1103040SD0	M3*4
31	Hexagon Socket Head Cap Screw	SS6203100TN0	M3*10
32			
33			
34			
35			
36			
37			
38			
39			
40			
41			
42			
43			
44			
45			
46			

Note: As for parts with marks # or *, please follow our instructions on Table of Contents in your parts order.



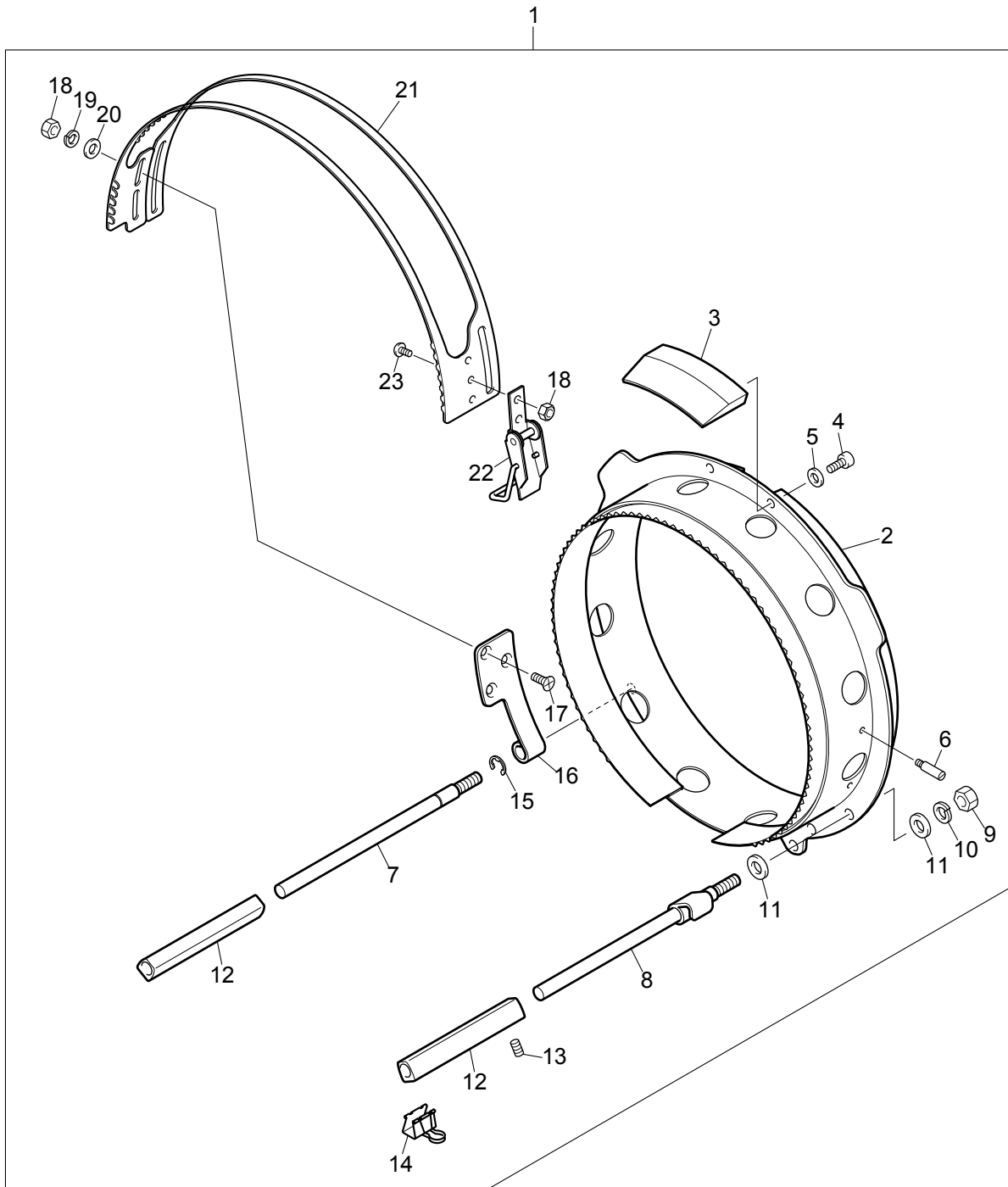
WIDE CAP FRAME (TCW-360/300B)

WH-5

Ref.No.	Description	Part No.	Remark
1	Wide Cap Frame Complete Set	HFU010010150	TCW-360
1	Wide Cap Frame Complete Set	HFU010010130	TCW-300B
2	Base Frame	WH0301010000	For TCW-360
2	Base Frame	WH0613000000	For TCW-300B
3	Visor Bracket	WH0303000000	For TCW-360
3	Visor Bracket	WH0615000000	For TCW-300B
4	Hexagon Socket Head Cap Screw	SS6203080TN0	M3*8
5	Plain Washer	WSP038005SC0	M3*8*0.5t
6	Fixing Pin	WH0304000000	
7	Base Frame Shaft L	WH0320L00000	
8	Base Frame Shaft R	WH0320R00000	
9	Hexagon Nut	SSN004SD0000	M4 Type 1
10	Spring Washer	WSS040000KD0	M4
11	Plain Washer	WSP04A008SD0	M4*10*0.8t
12	Clip Stopper	WH0321000000	
13	Hexagon Socket Head Set Screw	SS8204040TN0	M4*4
14	Clip Fitting Set	WH0323S00000	
15	E-ring	BPE500000000	
16	Lid Frame Fittings A	WH0309010000	For TCW-360
16	Lid Frame Fittings A	WH0614000000	For TCW-300B
17	Countersunk Head Screw	SS1103060SD0	M3*6
18	Hexagon Nut	SSN003SD0000	M3 Type 1
19	Spring Washer	WSS030000KD0	M3
20	Plain Washer	WSP038005SD0	M3*8*0.5t
21	Lid Frame A	WH0308020000	For TCW-360
21	Lid Frame C	WH0322000000	For TCW-300B
22	Pinch Lock	BPC112900000	
23	Truss Head Screw	SS0103050MZ0	M3*5
24			
25			
26			
27			
28			
29			
30			
31			
32			
33			
34			
35			
36			
37			
38			
39			
40			
41			
42			
43			
44			
45			

Note: As for parts with marks # or *, please follow our instructions on Table of Contents in your parts order.

(EE03)



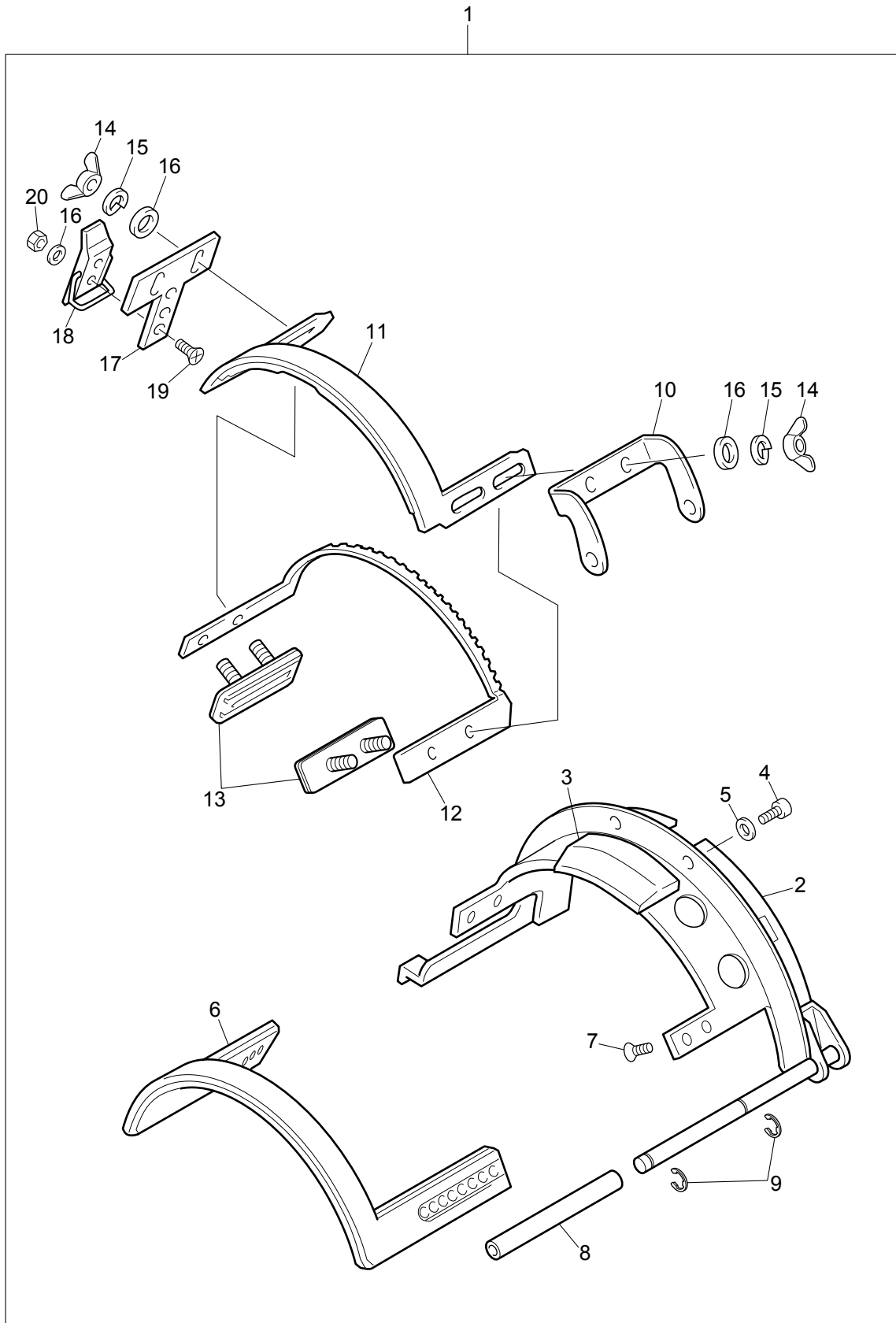
WIDE CAP FRAME (TCW-300)

WH-6

Ref.No.	Description	Part No.	Remark
1	Wide Cap Frame Complete Set	HFU010B10150	
2	Base Frame	WH0301010000	
3	Visor Bracket	WH0303000000	
4	Hexagon Socket Head Cap Screw	SS6203080TN0	M3*8
5	Plain Washer	WSP038005SC0	M3*8*0.5t
6	Fixing Pin	WH0304000000	
7	Base Frame Shaft L	WH0320L00000	
8	Base Frame Shaft R	WH0320R00000	
9	Hexagon Nut	SSN004SD0000	M4 Type 1
10	Spring Washer	WSS040000KD0	M4
11	Plain Washer	WSP04A008SD0	M4*10*0.8t
12	Clip Stopper	WH0321000000	
13	Hexagon Socket Head Set Screw	SS8204040TN0	M4*4
14	Clip Fitting Set	WH0323S00000	
15	E-ring	BPE500000000	
16	Lid Frame Fittings A	WH0309010000	
17	Countersunk Head Screw	SS1103060SD0	M3*6
18	Hexagon Nut	SSN003SD0000	M3 Type 1
19	Spring Washer	WSS030000KD0	M3
20	Plain Washer	WSP038005SD0	M3*8*0.5t
21	Lid Frame C	WH0322000000	
22	Pinch Lock	BPC112900000	
23	Truss Head Screw	SS0103050MZ0	M3*5
24			
25			
26			
27			
28			
29			
30			
31			
32			
33			
34			
35			
36			
37			
38			
39			
40			
41			
42			
43			
44			
45			
46			
47			
48			
49			
50			

Note: As for parts with marks # or *, please follow our instructions on Table of Contents in your parts order.

(EE03)



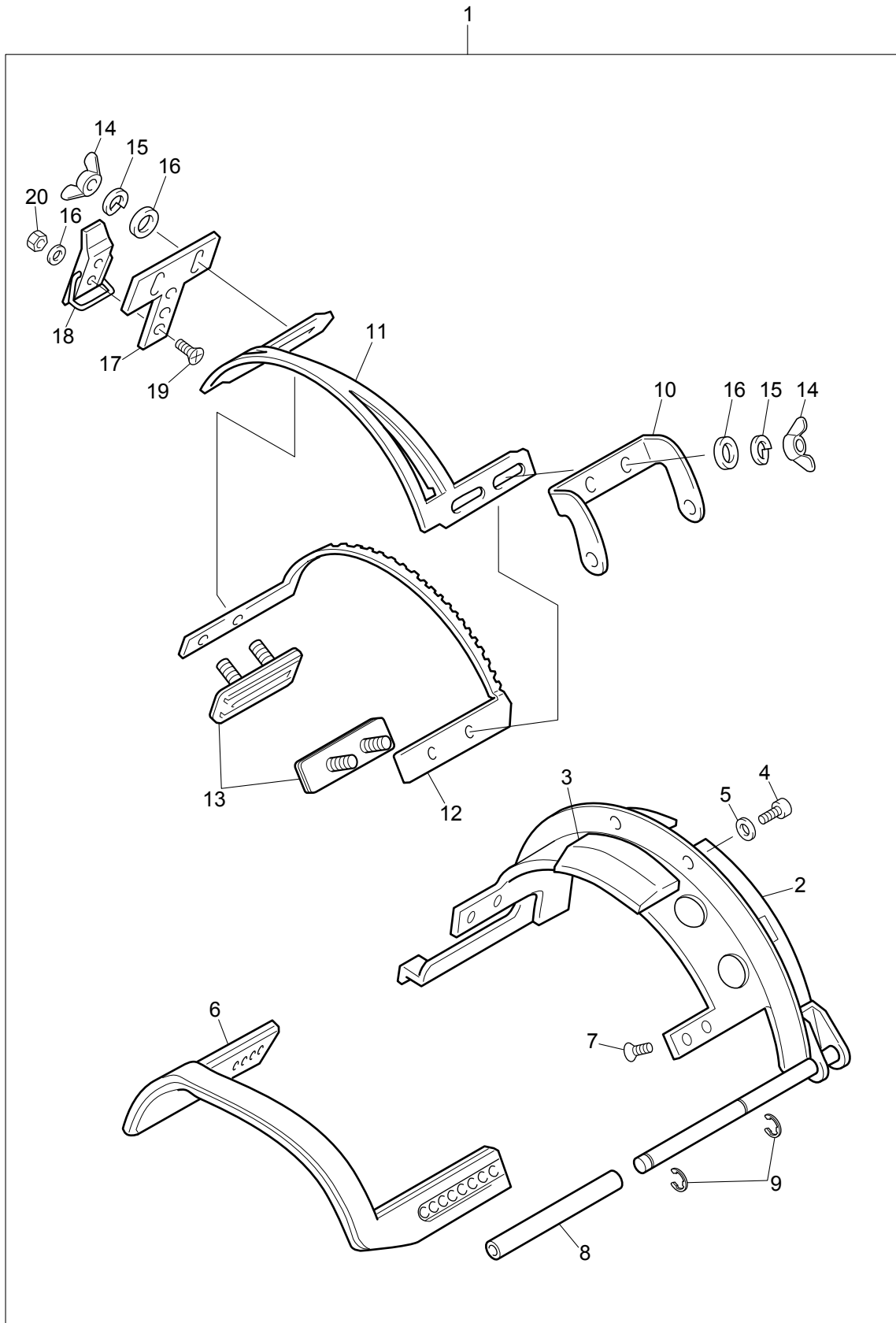
SEMI-WIDE CAP FRAME (TCW-180)

WH-7

Ref.No.	Description	Part No.	Remark
1	Semi-wide Cap Frame Complete Set	HFU011000150	
2	Base Frame A Set	WH0311000000	
3	Visor Bracket	WH0303000000	
4	Hexagon Socket Head Cap Screw	SS6203080TN0	M3*8
5	Plain Washer	WSP038005SC0	M3*8*0.5t
6	Base Frame B	WH0312000000	
7	Round Countersunk Head Screw	SMC5000535CL	9/64*40*3.5
8	Reinforcing Pipe	HF0304000000	
9	E-ring	BPE500000000	
10	Lid Frame Fittings	WH0313000000	
11	Lid Frame A	WH0315010000	
12	Lid Frame B	WH0316000000	
13	Bolt Base Set	WH0314010000	
14	Wing Nut	SSN403SD0000	M3
15	Spring Washer	WSS030000KD0	M3
16	Plain Washer	WSP038005SD0	M3*8*0.5t
17	Clamp Base	HF0307000000	
18	Pinch Lock	BPC112900000	
19	Countersunk Head Screw	SS1103060MZ0	M3*6
20	Hexagon Nut	SSN003SD0000	M3 Type 1
21			
22			
23			
24			
25			
26			
27			
28			
29			
30			
31			
32			
33			
34			
35			
36			
37			
38			
39			
40			
41			
42			
43			
44			
45			
46			
47			
48			
49			
50			

Note: As for parts with marks # or *, please follow our instructions on Table of Contents in your parts order.

(EE03)



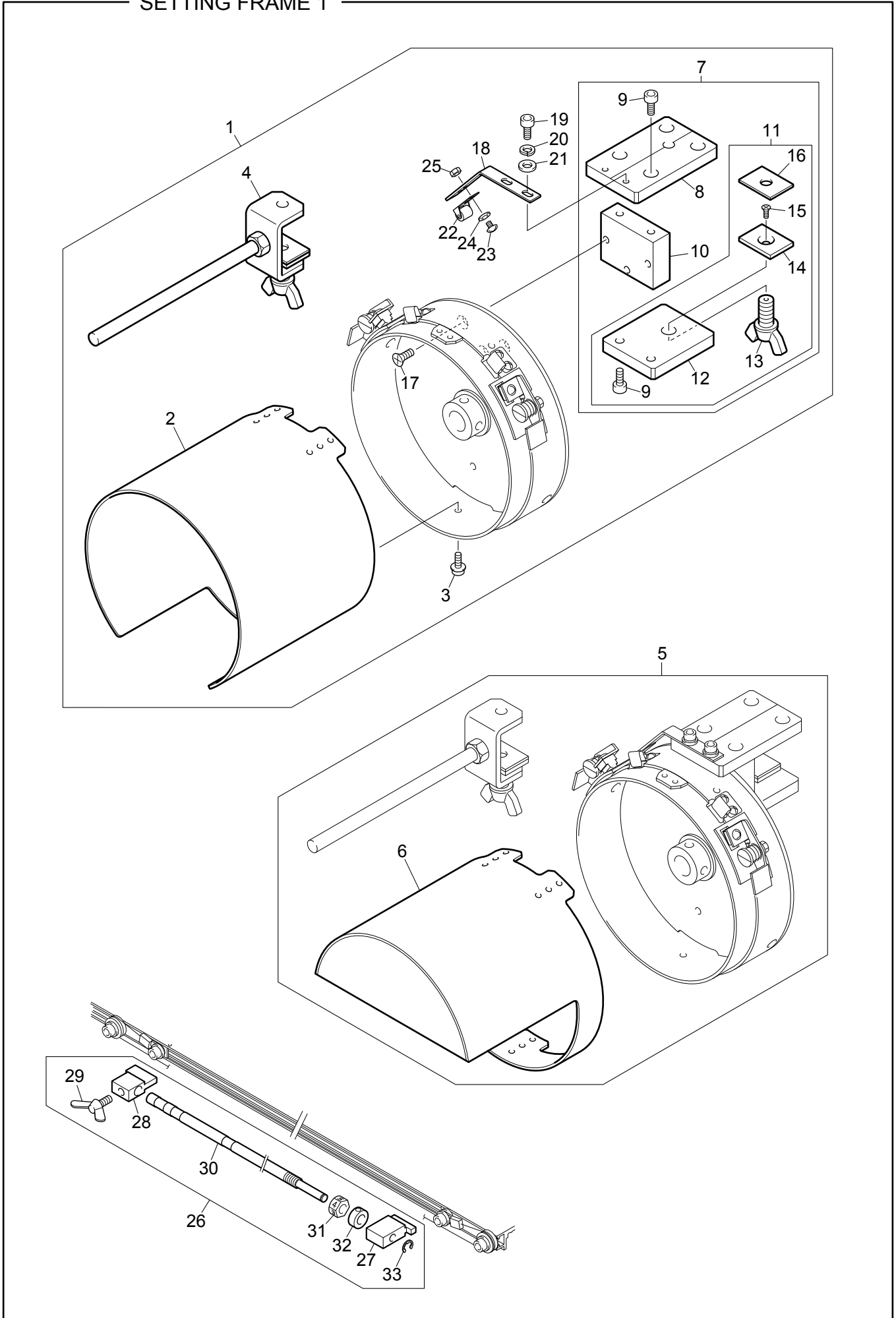
SEMI-WIDE CAP FRAME (TCW-180R)

WH-8

Ref.No.	Description	Part No.	Remark
1	Semi-wide Cap Frame R-type Complete Set	HFU011R00000	
2	Base Frame A Set	WH031100000	
3	Visor Bracket	WH030300000	
4	Hexagon Socket Head Cap Screw	SS6203080TN0	M3*8
5	Plain Washer	WSP038005SC0	M3*8*0.5t
6	Base Frame B	WH031700000	
7	Round Countersunk Head Screw	SMC5000535CL	9/64*40*3.5
8	Reinforcing Pipe	HF030400000	
9	E-ring	BPE500000000	
10	Lid Frame Fittings	WH031300000	
11	Lid Frame A	WH031801000	
12	Lid Frame B	WH031600000	
13	Bolt Base Set	WH031401000	
14	Wing Nut	SSN403SD0000	M3
15	Spring Washer	WSS030000KD0	M3
16	Plain Washer	WSP038005SD0	M3*8*0.5t
17	Clamp Base	HF030700000	
18	Pinch Lock	BPC112900000	
19	Countersunk Head Screw	SS1103060MZ0	M3*6
20	Hexagon Nut	SSN003SD0000	M3 Type 1
21			
22			
23			
24			
25			
26			
27			
28			
29			
30			
31			
32			
33			
34			
35			
36			
37			
38			
39			
40			
41			
42			
43			
44			
45			
46			
47			
48			
49			
50			

Note: As for parts with marks # or *, please follow our instructions on Table of Contents in your parts order.

SETTING FRAME 1



SETTING FRAME 1

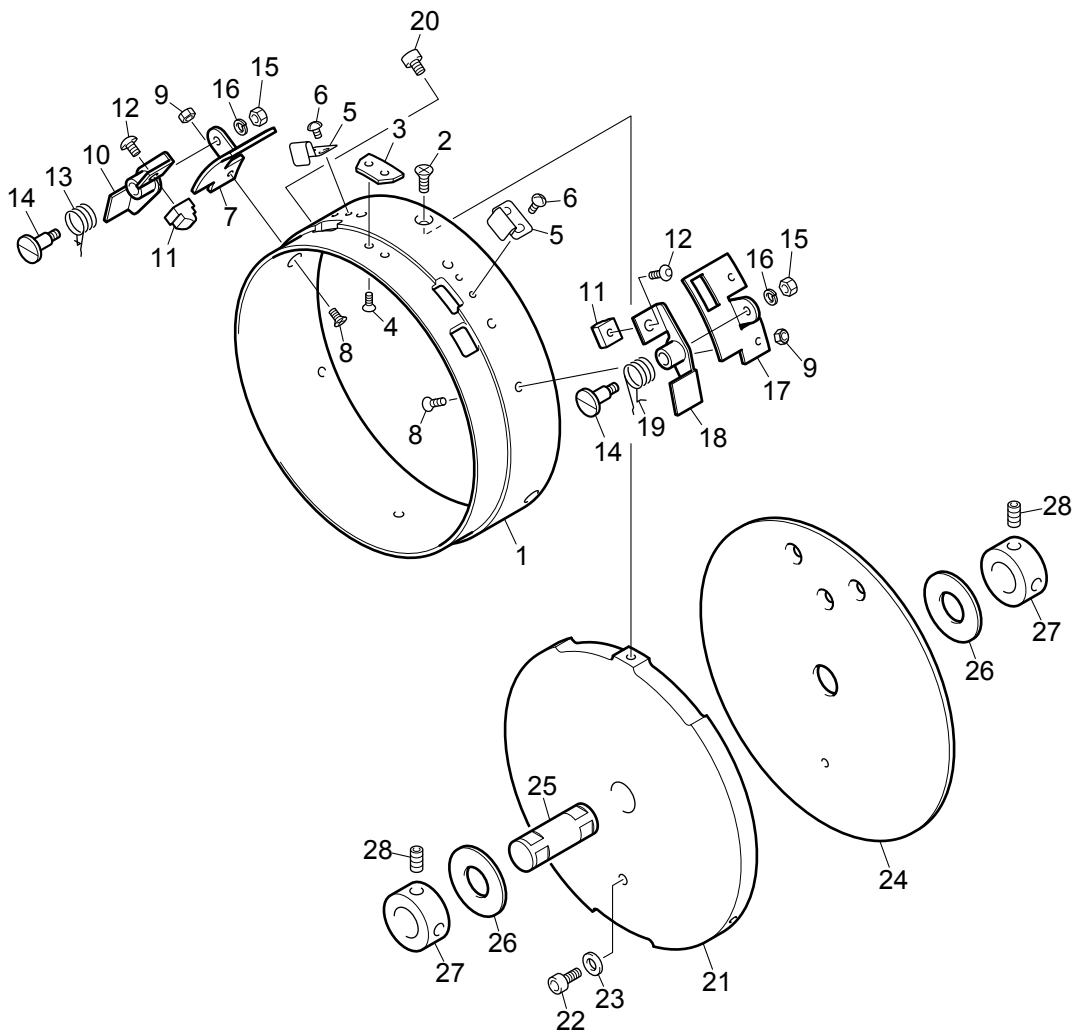
WH-9-1

Ref.No.	Description	Part No.	Remark
1	Gauge Frame Complete Set	HFU014020000	For TCW-360/300
1	Gauge Frame Complete Set	HFU021000000	For TCW-300B
2	Gauge Ring B	WH042200000	For TCW-360/300
2	Gauge Ring B	WH070200000	For TCW-300B
3	Hexagon Socket Head Flange Screw	BPM4X8L00000	
4	Setting Sub Base Set	HF0405S20000	
5	Gauge Frame Complete Set	HFU01402000S	For TCW-180/180R
6	Gauge Ring B	WH042300000	For TCW-180/180R
7	Setting Frame Base Set	UN34050B0000	
8	Setting Frame Base A	WH041200000	
9	Hexagon Socket Head Cap Screw	SS6205120TN0	M5*12
10	Setting Frame Base B	HF0402040000	
11	Setting Frame Base C Set	WH0416S00000	
12	Setting Frame Base C	HF0403030000	
13	Wing Bolt	WH041500000	
14	Table Patch Plate	WH041300000	
15	Countersunk Head Screw	SS1103080SD0	M3*8
16	Patch Plate Rubber	WH041400000	
17	Countersunk Head Screw	SS1105150SD0	M5*15
18	Roller Bracket	WH041900000	
19	Hexagon Socket Head Cap Screw	SS6204100TN0	M4*10
20	Spring Washer	WSS040000KC0	M4
21	Plain Washer	WSP04A008SC0	M4*10*0.8t
22	Base Frame Presser Roller	WH023200000	
23	Pan Head Screw	SS4103050SD0	M3*5
24	Plain Washer	WSP038005SD0	M3*8*0.5t
25	Hexagon Nut	SSN003SD0000	M3 Type 1
26	Wire Tension Gauge Set	HFU015010000	
27	Tension Block A	WH040300000	
28	Tension Block B	WH0404010000	
29	Wing Bolt	BPBOLTM06X10	
30	Tension Shaft	WH0A26000000	
31	Tension Nut	WH0406000000	
32	8mm Dia. Collar	WH0231000000	
33	E-ring	BPE500000000	
34			
35			
36			
37			
38			
39			
40			
41			
42			
43			
44			
45			
46			
47			
48			

Note: As for parts with marks # or *, please follow our instructions on Table of Contents in your parts order.

(EE03)

SETTING FRAME 2



SETTING FRAME 2

WH-9-2

Ref.No.	Description	Part No.	Remark
1	Gauge Ring A	WH0421000000	
1	Gauge Ring A	WH0701000000	TCW-300B
2	Countersunk Head Screw	SS1104150SD0	M4*15
3	Center Block	WH0203000000	
3	Center Block	WH0610000000	TCW-300B
4	Round Countersunk Head Screw	SMC5000535CL	9/64*40*3.5
5	Presser Screw	WH0212000000	
6	Truss Head Screw	SS0103040SD0	M3*4
7	Lever Bracket L	WH0205000000	
7	Lever Bracket L	WH0605L00000	TCW-300B
8	Countersunk Head Screw	SS1104080MZO	M4*8
9	Hexagon Nut	SSN204SD0000	M4 Type 3
10	Releasing Lever L	WH0201000000	
11	Lock Pin	WH0207000000	
12	Hexagon Socket Head Button Screw	SS3204060SCO	M4*6
13	Lever Spring L	WH0224000000	
14	Lever Pin	WH0229000000	
15	Hexagon Nut	SSN004SD0000	M4 Type 1
16	Spring Washer	WSS040000KCO	M4
17	Lever Bracket R	WH0206000000	
17	Lever Bracket R	WH0605R00000	TCW-300B
18	Releasing Lever R	WH0202000000	
19	Lever Spring R	WH0225000000	
20	Hexagon Socket Head Cap Screw	SS6203030TNO	M3*3
21	Gauge Ring Lid	WH0420010000	
21	Gauge Ring Lid	WH0703000000	TCW-300B
22	Hexagon Socket Head Cap Screw	SS6204150TNO	M4*15
23	Plain Washer	WSP04A008SCO	M4*10*0.8t
24	Setting Frame Sash Liner	WH0418000000	
24	Setting Frame Sash Liner	WH0704000000	TCW-300B
25	15mm Dia. Shaft	WH0417000000	
26	Washer	BPTW15300000	
27	15mm Dia. Collar	CE0110000000	
28	Hexagon Socket Head Set Screw	SS8206080TNO	M6*8
29			
30			
31			
32			
33			
34			
35			
36			
37			
38			
39			
40			
41			
42			
43			
44			

Note: As for parts with marks # or *, please follow our instructions on Table of Contents in your parts order.

(EE03)

1st Revision (9804) April, 1998
2nd Revision (9902) February, 1999
3rd Revision (9905) May, 1999
4th Revision (9906) June, 1999
5th Revision (2001.03) March, 2001

■ **Manufactured by:**
Tokai Industrial Sewing Machine Co., Ltd.

NO.1800, Ushiyama-cho, Kasugai, Aichi-pre., 486-0901, Japan
Telephone:568-33-1161 Fax:568-33-1191

■ **Distributed by:**
Tajima Industries Ltd.

19-22, Shirakabe, 3-chome, Higashi-ku, Nagoya, 461-0011, Japan
Telephone:52-932-3444 Fax:52-932-2457

■ **Authorized Distributor:**

