

PARTS LIST

TMCE- 602
604

Table of Contents

- TMCE GENERAL VIEW
- TMCE FRAME.TABLE CL-1
- TMCE MAIN SHAFT MECHANISM CL-2
- TMCE ARM 1 CL-3-1
- TMCE ARM 2 CL-3-2
- TMCE X-AXIS DRIVE SYSTEM CL-4
- TMCE Y-AXIS DRIVE SYSTEM CL-5
- TMCE LOOPER.ATH 1..... CL-6-1
- TMCE LOOPER.ATH 2..... CL-6-2
- TMCE TENSION BASE CL-7
- TMCE TENSION RELEASE CL-8
- TMCE COLOR CHANGE SENSOR..... CL-9
- TMCE THREAD STAND..... CL-10
- TMCE BORDER FRAME CL-11
- TMCE ELECTRICAL PARTS CL-12

Part Nos. of screws, nuts, washers etc. are listed at the end of volume.

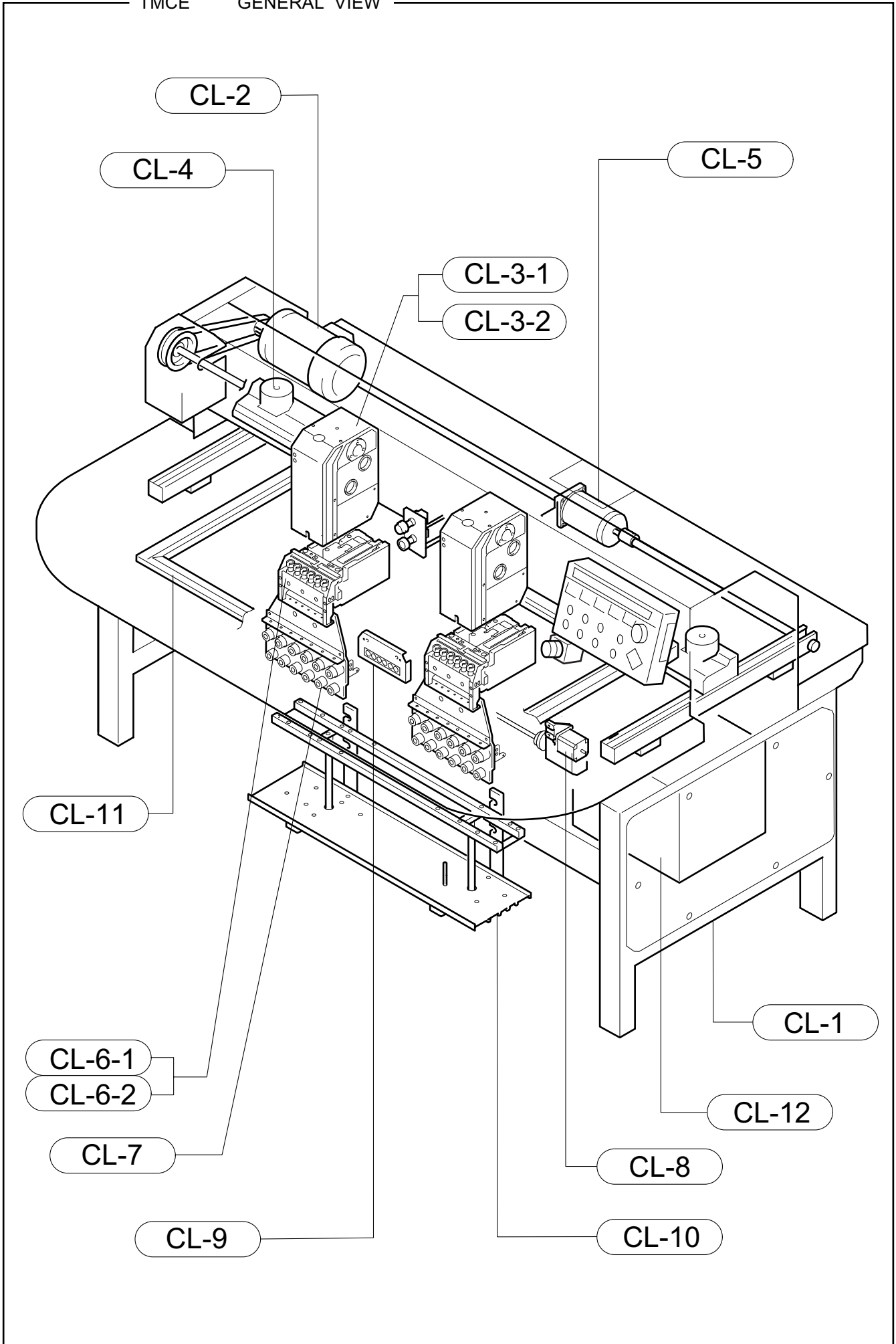
[Explanation of Marks #'s and *'s at End of Part No.]

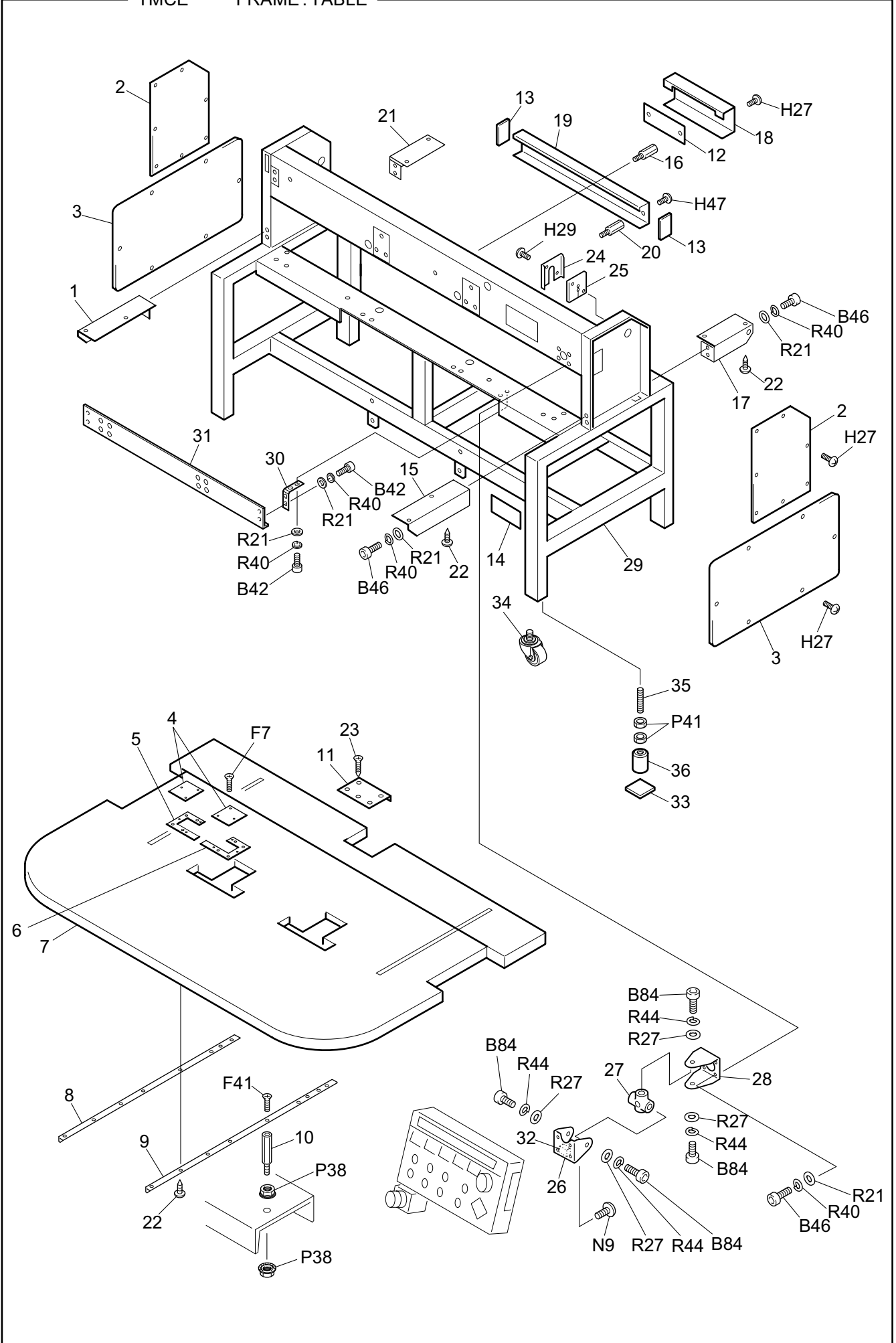
◆ Please specify, in the following manner, your machine model, manufacturing number and embroidery space when you order us with the parts having **** at the end of the part No.:

Ex.	TMCE-602.604	(450×275)S	No.01234
	[Model]	[Emb. Space]	[Mfg. No.]

◆ Please specify the number of color change loopers on your machine in your parts order by changing the marks ##### into the 4-digit numbers below:

Ex.	The part Number, CL012345####
	6-looper machine.....0600





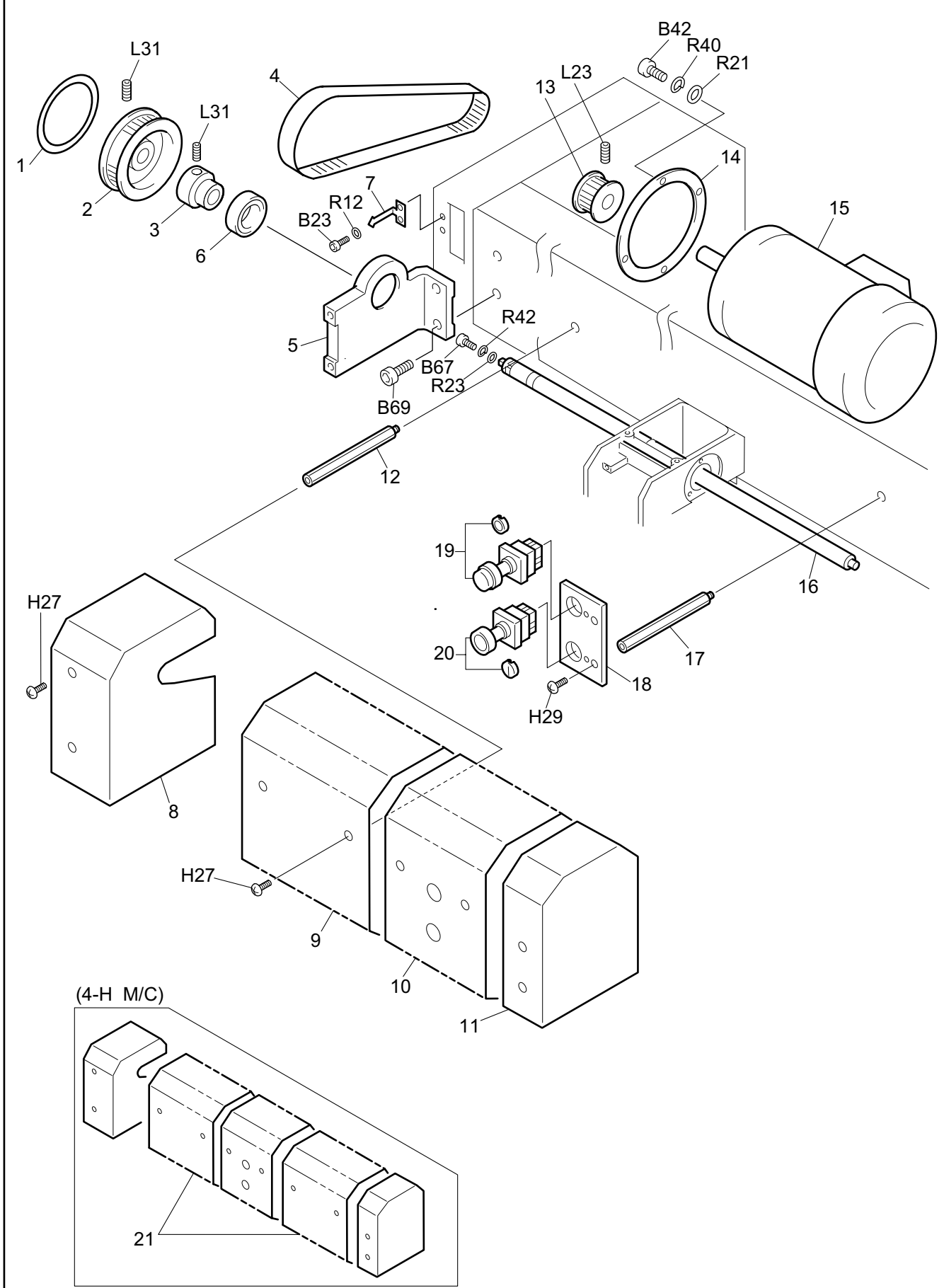
TMCE FRAME.TABLE

CL-1

Ref.No.	Description	Part No.	Remark
1	Table Support, Front L	CL0824000000	
2	Box Cover	CL0102000000	
3	Stand Side Cover	CL0818000000	
4	Side Cover	CL0820010000	
5	Side Cover Spacer L	CL0822010000	
6	Side Cover Spacer R	CL0821010000	
7	Table	CL080201****	
8	Table Support B	CL08150B0000	
9	Table Support A	CL08140A0000	
10	Table Support Stud	CX0809000000	
11	Y-axis Motor Cover	CL0819000000	
12	Card Attaching Base	CL0832000000	
13	Wiring Cover Side Lid	MX0835000000	
14	TAJIMA Brand Name Plate	CL0830000000	
15	Table Support, Front R	CL0823000000	
16	Card Cover Stud	CL0834000000	
17	Table Support, Rear R	CL0825000000	
18	Card Cover	CL0833000000	
19	Wiring Cover	CL080701****	
20	Wiring Cover Stud	EG0808000000	
21	Table Support, Rear L	CL0826000000	
22	Round Head Wood Screw		4.5P*20
23	Countersunk Head Wood Screw		3.1P*13
24	Clamp Holder	CX01180A0000	
25	Cord Clamp	CX0119010000	
26	Operation Panel Attaching Arm	EC0834000000	
27	Cross Joint	EC0833000000	
28	Panel Joint	CX08320A0000	
29	Integral Stand	CL089001****	
30	Positioning Bracket	CT0821000000	
31	Tension Base Bracket	CL089101****	
32	Cushion Rubber	EC0829010000	
33	Vibration-preventive Rubber	EC0826000000	
34	Caster	BP420SAUB650	
35	Stud Bolt	CX08E3000000	
36	Leveling Block	CX08E7000000	
37			
38			
39			
40			
41			
42			
43			
44			
45			
46			
47			
48			
49			
50			

Note: As for parts with marks # or *, please follow our instructions on Table of Contents in your parts order.

(BH11)



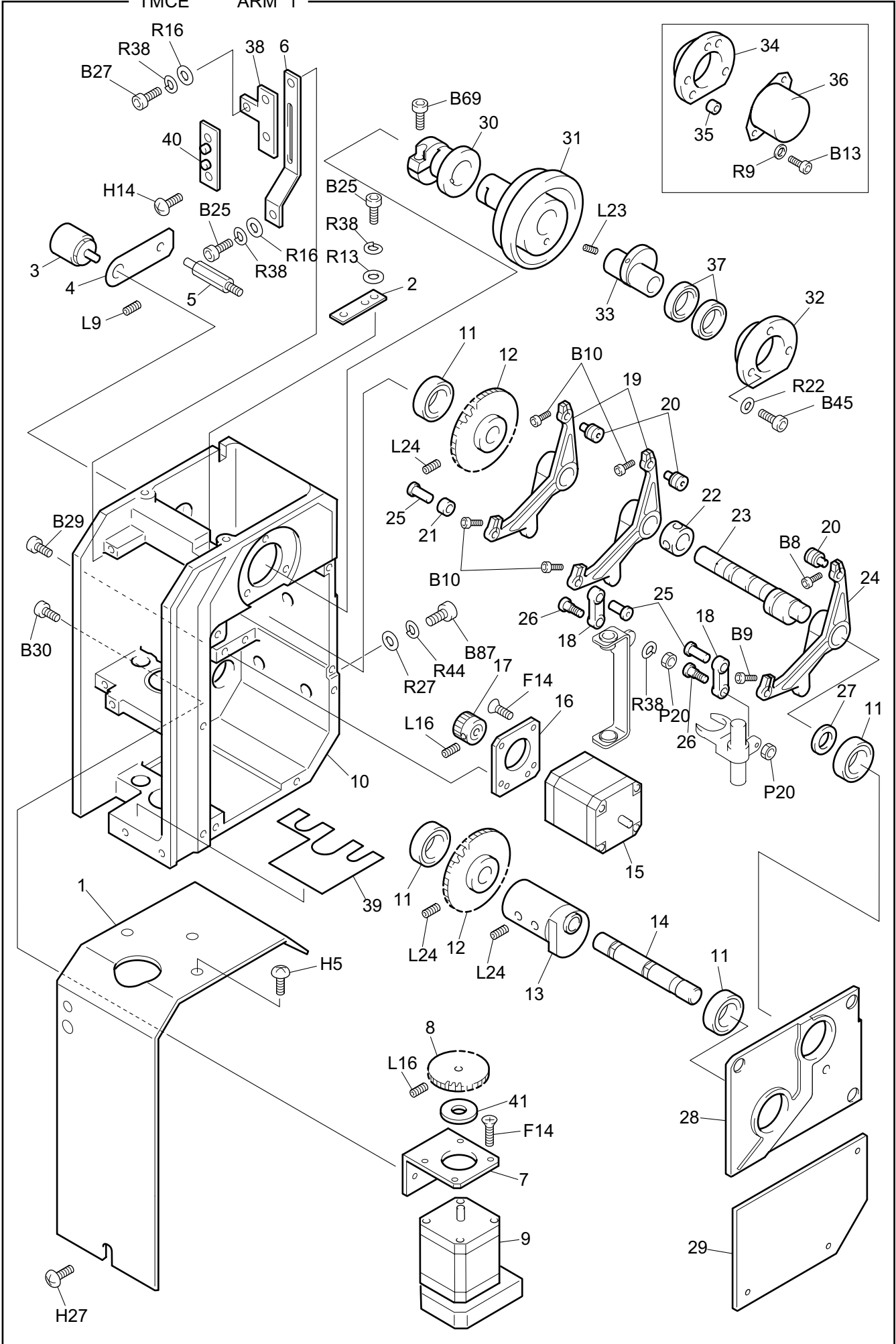
TMCE MAIN SHAFT MECHANISM

CL-2

Ref.No.	Description	Part No.	Remark
1	Angle Indicator Plate	CL0103000000	
2	Main Shaft Pulley	CL0101000000	
3	15mm Dia. Bearing Case Collar	EG0111000000	
4	Main Shaft Belt	BPS5M1507000	
5	Main Shaft Bearing Case	CL0109000000	
6	Ball Bearing	BP6004ZZ0000	
7	Angle Pointer	CL0108000000	
8	Pulley Cover	CL0110000000	
9	Shaft Cover D	CL081101****	
9	Shaft Cover D	CL084301****	4-H M/C
10	Shaft Cover C	CL081001****	
11	Shaft Cover A	CL0809000000	
12	Shaft Cover Stud	CL0812000000	
13	Pulley No.3 A	CX0120000000	
14	Main Shaft Motor Base	CL0104000000	
15	Main Shaft Motor	CX6202000000	
16	Main Shaft	CL080800****	
17	Switch Attaching Stud	CL0813000000	
18	Switch Attaching Base	CL0829000000	
19	Stop Button Switch	SC5806000000	
20	Start Switch	SC5803000000	
21	Shaft Cover B	CL083701****	4-H M/C
22			
23			
24			
25			
26			
27			
28			
29			
30			
31			
32			
33			
34			
35			
36			
37			
38			
39			
40			
41			
42			
43			
44			
45			
46			
47			
48			
49			

Note: As for parts with marks # or *, please follow our instructions on Table of Contents in your parts order.

(BH11)



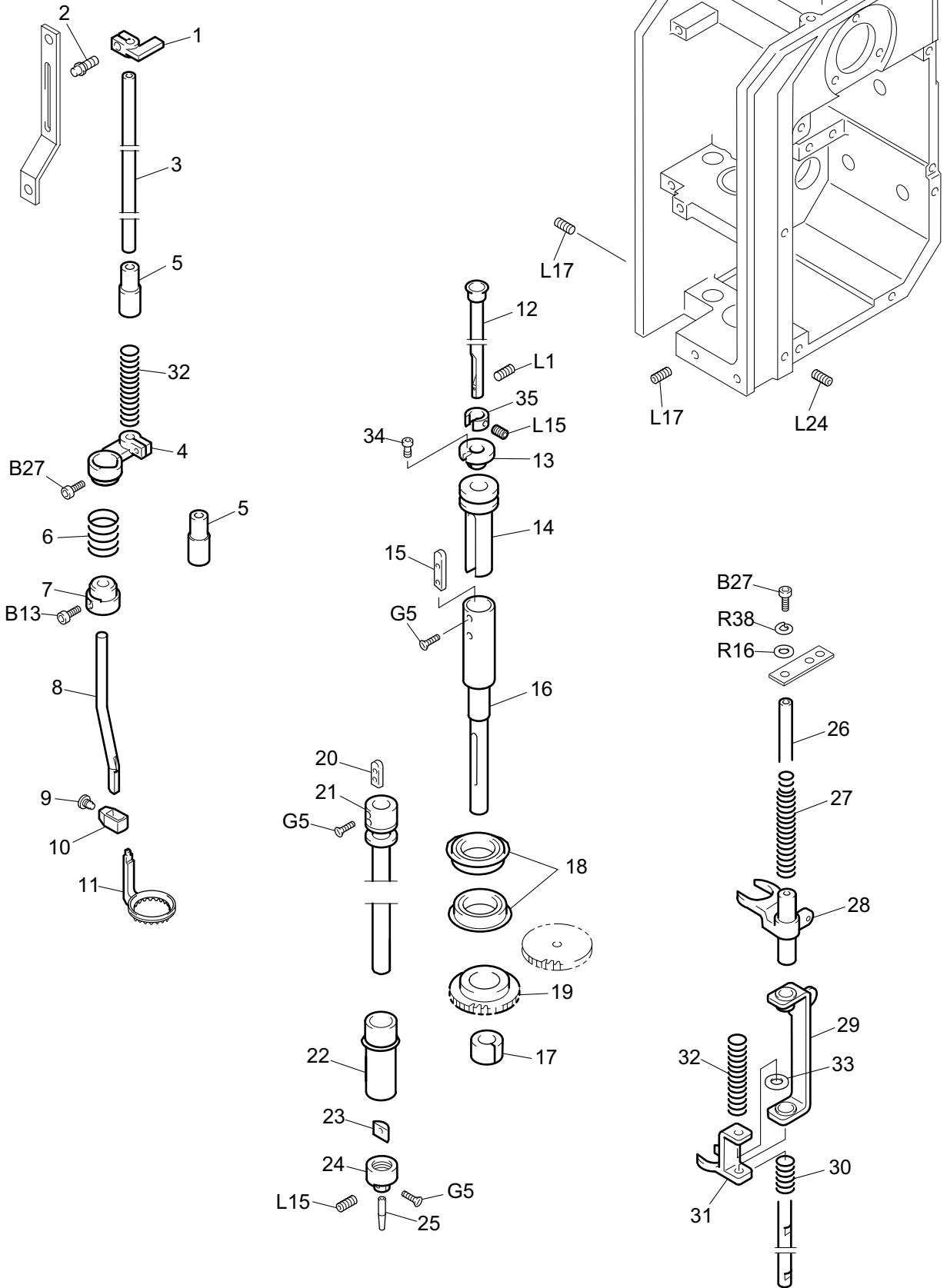
TMCE ARM 1

CL-3-1

Ref.No.	Description	Part No.	Remark
1	Arm Cover	CL0560010000	
2	Nipple Shaft Attaching Base	CL0520000000	
3	Potentiometer	CL0842000000	
4	Potentiometer Attaching Plate B	CL0422000000	
5	Potentiometer Stud B	CL0423000000	
6	Presser Foot Reciprocating Block Sub Plate	CL0517000000	
7	D-axis Motor Base	CL0542000000	
8	D-axis Drive Gear	CL0539000000	
9	Pulse (Stepping) Motor	CL0838020000	With Encoder
10	Arm	CL0501030000	
11	Bearing	BP6001ZZ0000	
12	Z-axis Driven Gear	CL0546000000	
13	Positioning Cam	CL0556000000	
14	Positioning Cam Shaft	CL0557000000	
15	Pulse (Stepping) Motor	CL0835010000	
16	Z-axis Motor Base	CL0547000000	
17	Z-axis Drive Gear	CL0543S00000	
18	Needle Bar Drive Connecting Rod	EF0513000000	
19	Drive Lever B	CL0530000000	
20	Lever Cam Roller Pin	CL0533000000	
21	Presser Drive Urethane Collar	CL0518000000	
22	Drive Lever Positioning Collar	CL0532000000	
23	Drive Lever Pin	CL0528000000	
24	Drive Lever A	CL0529000000	
25	Connecting Pin B	CL0535000000	
26	Connecting Pin A	CL0534000000	
27	Drive Lever Spacer	CL0531000000	
28	Arm Side Bearing Holder Base	CL0558010000	
29	Arm Side Cover	CL0559000000	
30	Presser Foot Drive Cam	CL0555000000	
31	Needle Bar Nipple Drive Cam	CL0553000000	
32	Bearing Case A	CL0548000000	
33	Main Shaft Bushing	CL0551010000	
34	Bearing Case B	CL0549000000	
35	Encoder Collar	CL0550000000	
36	Rotary Encoder	BPTS5307N250	
37	Bearing	BP6803ZZ0000	
38	Switch Bracket	CL0563000000	
39	Oil Fencing Felt B	CL0562000000	
40	CE Switch Card	CL7201010000	
41	Pulse (Stepping) Motor Cap	CL0537000000	
42			
43			
44			
45			
46			
47			
48			
49			
50			

Note: As for parts with marks # or *, please follow our instructions on Table of Contents in your parts order.

(BH11)



TMCE ARM 2

CL-3-2

Ref.No.	Description	Part No.	Remark
1	Presser Foot Reciprocating Block	CL0515000000	
2	Presser Reciprocating Block Pin	CL0516000000	
3	Presser Drive Shaft	CL0523000000	
4	Presser Foot Bracket	CL0524000000	
5	Presser Foot Bushing	CL0521000000	
6	Presser Foot Return Spring	CE0226000000	
7	Bracket Collar	CE0227000000	
8	Presser Bracket	CL0519000000	
9	Presser Set Screw	CE0231000000	
10	Presser Connecting Stud	CE0230000000	
11	Presser Foot B	CE0232B00000	
12	Needle Bar	CL0502000000	
13	Needle Bar Tightening Collar	CL0506000000	
14	Needle Bar Reciprocating Sleeve	CL0505000000	
15	Needle Bar Reciprocating Sleeve Key	CL0508000000	
16	Needle Bar Sleeve	CL0509000000	
17	D-axis Gear Split Collar	CL0541000000	
18	Bearing	BP6901ZNR000	
19	D-axis Driven Gear	CL0540000000	
20	Reciprocating Sleeve Key	CE0219000000	
21	Nipple Reciprocating Sleeve	CL0510S00000	
22	Sleeve	CL0512000000	
23	Nipple Connecting Stud B Spacer	CE0221000000	
24	Nipple Connecting Stud B	CE0220000000	
25	Nipple	CE022200****	
26	Nipple Drive Shaft	CL0522000000	
27	Needle Bar Spring	CL0525000000	
28	Needle Bar Slide Block	CL0514000000	
29	Nipple Reciprocating Connenting Block	CL0536S00000	
30	Nipple Reciprocating Block Spring	CL0527000000	
31	Nipple Reciprocating Block	CL0513000000	
32	Nipple Presser Foot Spring	CL0526000000	
33	Needle Bar O-Ring	EF0621000000	
34	Needle Bar Collar Screw	CL0507000000	
35	Needle Position Gauge	CL0581000000	
36			
37			
38			
39			
40			
41			
42			
43			
44			
45			
46			
47			
48			
49			
50			

Note: As for parts with marks # or *, please follow our instructions on Table of Contents in your parts order.

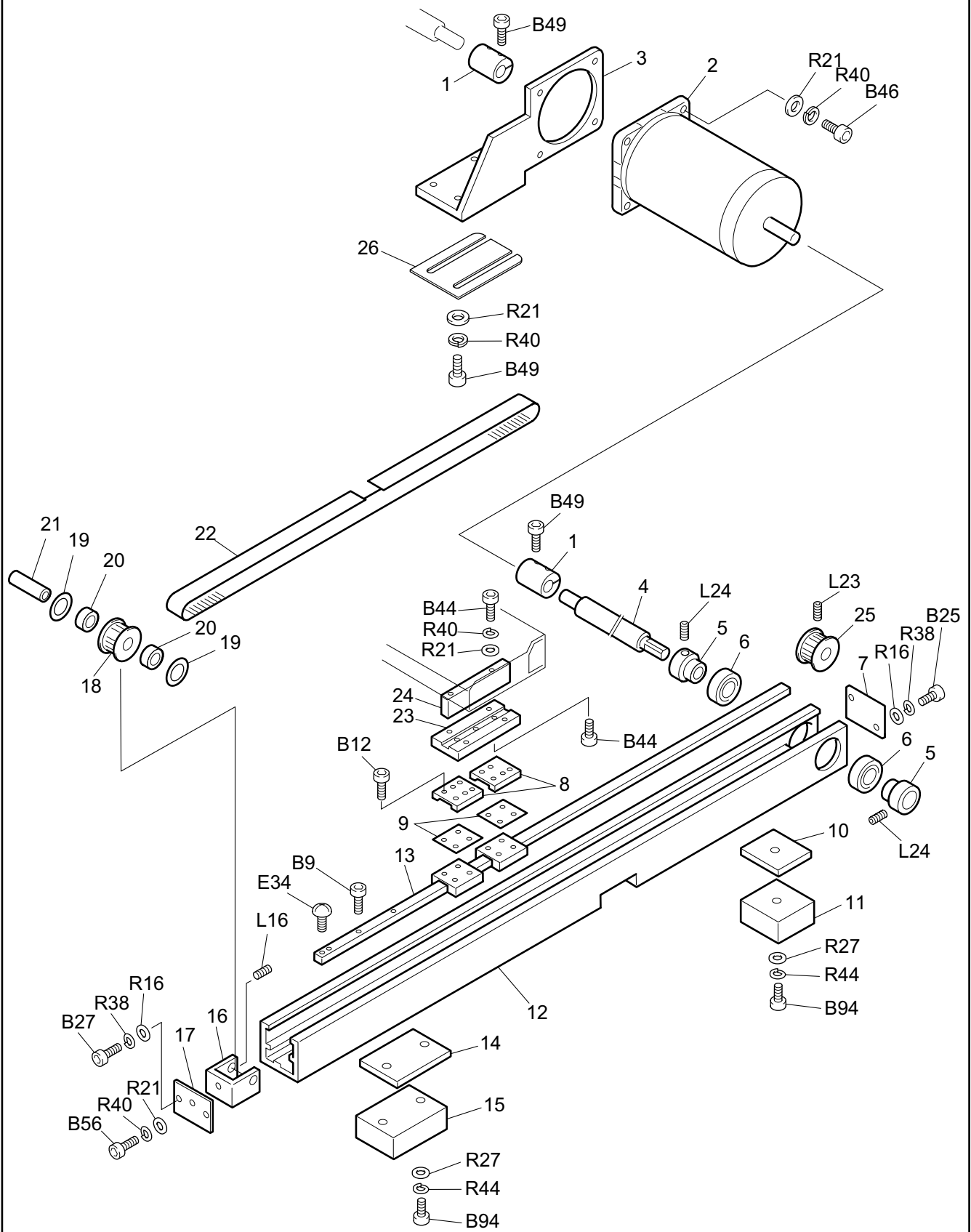
TMCE X-AXIS DRIVE SYSTEM

CL-4

Ref.No.	Description	Part No.	Remark
1	Z-spec. Frame Side Plate L	CL0704000000	
2	Z-spec. Frame Side Plate R	CL0703000000	
3	Z-spec. Frame Felt	CX0722020000	
4	Z-spec. Frame Cover	CL070201****	
5	Z-spec. Frame	CL070101****	
6	Traverse Linear Way	BPLWL15C3R14	
7	Joint Plate AL	CX07C8L00000	2-H M/C
7	Joint Plate AL	CL0712000000	4-H M/C
8	Linear Spacer	CX07B1000000	
9	Joint Plate L	CX0781L1****	2-H M/C
9	Joint Plate L	CL071000****	4-H M/C
10	Joint Plate B	CX07C9000000	
11	Joint Plate R	CX0781R1****	2-H M/C
11	Joint Plate R	CL070900****	4-H M/C
12	E-ring	BPE700000000	
13	Washer	BPTW10200000	
14	Needle Bearing	BPHK10100000	
15	No.1 Pulley	CX0715000000	
16	X-axis Timing Belt	BP015AT5299Y	
17	X-axis Belt Catcher D	CX0704000000	
18	X-axis Belt Catcher C	CX0703000000	
19	Z-spec. Frame Pulley A	EC0709000000	
20	Ball Bearing	BPBC616ZZ000	
21	Plate Support	CX07D4000000	
22	Bearing Case Plate	CX07D3000000	
23	Bushing Plate	CX07B5000000	
24	Joint Plate AR	CX07C8R10000	2-H M/C
24	Joint Plate AR	CL0713000000	4-H M/C
25	X-axis Belt Catcher A	CX0719010000	
26	X-axis Belt Catcher E	CX0762010000	
27	X-axis Spacer	CX0761000000	
28	X-axis Pin	CX0713010000	
29	X-axis Belt Catcher B	CX0720010000	
30	86 mm Dia. Motor Plate L	CX07J3L00000	
31	86 mm Dia. Motor Plate R	CX07J3R00000	
32	Pulse (Stepping) Motor	CX6407000000	
33	Traverse Scale	CX07A3000000	
34	Auxiliary Plate Support	CL0725000000	
35	Motor Spacer	CX07J4000000	
36			
37			
38			
39			
40			
41			
42			
43			
44			
45			
46			

Note: As for parts with marks # or *, please follow our instructions on Table of Contents in your parts order.

(BH11)



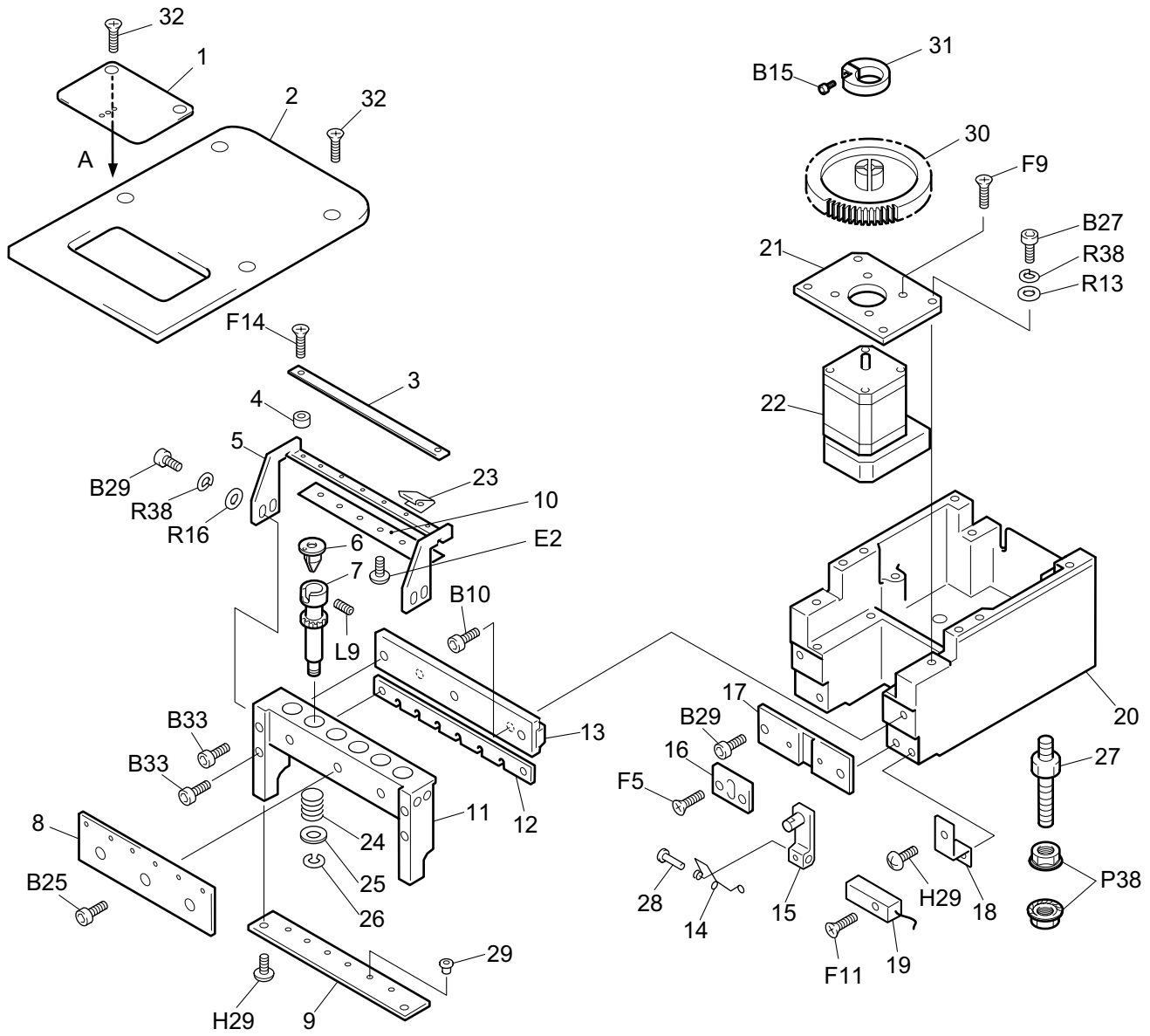
TMCE Y-AXIS DRIVE SYSTEM

CL-5

Ref.No.	Description	Part No.	Remark
1	Split Joint	CX0784000000	
2	Pulse (Stepping) Motor	CX6404010000	
3	Y-axis Motor Base	CL0706010000	
4	Y-axis Shaft	CL082800****	
5	Fixing Collar	CX0712000000	
6	Ball Bearing	BP6002ZZ0000	
7	Frame Cover B	CX07B8000000	
8	Y-axis Stack Plate	CX07C0000000	
9	Y-axis Belt Catcher	CX0705000000	
10	Driver Spacer C	EF0831A00000	0.5mm Thick
10	Driver Spacer C	EF0831B00000	1.0mm Thick
10	Driver Spacer C	EF0831C00000	2.0mm Thick
11	Driver Spacer B	CL0817000000	
12	Y-axis Frame	CL0705000000	
13	Traverse Linear Way	BPLWL15C2R58	
14	Driver Spacer B	EF0830A00000	0.5mm Thick
14	Driver Spacer B	EF0830B00000	1.0mm Thick
14	Driver Spacer B	EF0830C00000	2.0mm Thick
15	Driver Spacer A	CL0816000000	
16	Y-axis Tension Bearing Case	CX07C5000000	
17	Frame Cover A	CX07B7000000	
18	No.1 Pulley	CX0715000000	
19	Washer	BPTW10200000	
20	Needle Bearing	BPHK10100000	
21	Tension Shaft	CX07C1000000	
22	Y-axis Timing Belt	BP015AT5261Y	
23	Y-axis Feed Plate	CL0707000000	
24	Z-spec. Frame Attaching Plate	CL0708000000	
25	No.3 Pulley	CX0109000000	
26	Motor Base Spacer A	CL0722A10000	0.5mm Thick
26	Motor Base Spacer B	CL0722B10000	1.0mm Thick
26	Motor Base Spacer C	CL0722C10000	2.0mm Thick
27			
28			
29			
30			
31			
32			
33			
34			
35			
36			
37			
38			
39			
40			
41			
42			
43			
44			

Note: As for parts with marks # or *, please follow our instructions on Table of Contents in your parts order.

(BH11)



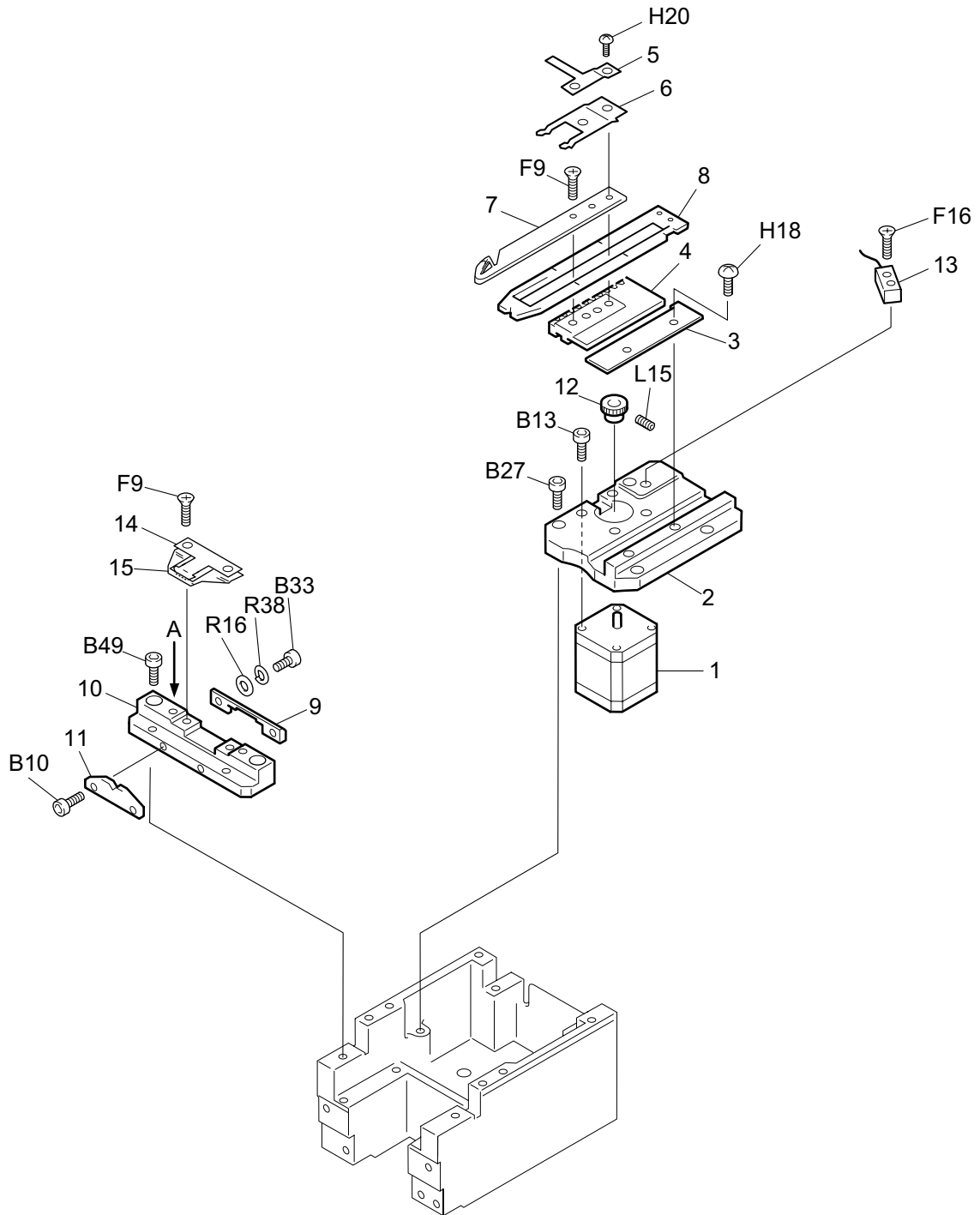
TMCE LOOPER.ATH 1

CL-6-1

Ref.No.	Description	Part No.	Remark
1	Needle Plate A	CL0227000000	1.6P
1	Needle Plate B	CL0228000000	1.8P
1	Needle Plate C	CL0229000000	1.4P
2	Looper Base Cover	CL0230000000	
3	Thread Holder, Upper	CL020600####	
4	Thread Holder Spacer	CL0207000000	
5	Thread Holder Bracket	CL020500####	
6	Looper	CL0231010000	
7	Looper Sleeve	CL0209000000	
8	Gear Stopper Base	CL0203S0####	
9	Looper Thread Course	CL020400####	
10	Spring Presser Plate	CL023200####	
11	Looper Case	CL020201####	
12	Looper Case Positioning Plate	CL024101####	
13	Looper Case Slide Unit	CL023301####	
14	Thread Breakage Detecting Switch Lever	CL0243000000	
15	Case Fixing Lever	CL0238S00000	
16	Lever Base Lid	CL0237010000	
17	Fixing Lever Base	CL0236010000	
18	Proximity Switch Base	CL0242000000	
19	Thread Breakage Detecting Switch	CL0244000000	
20	Looper Base	CL0201000000	
21	Looper Motor Base	CL0211000000	
22	Pulse (Stepping) Motor	CL0838020000	With Encoder
23	Thread Presser Spring	CL0208000000	
24	Looper Spring	CL0210000000	
25	Ball Bearing	BPLF1260ZZ00	
26	Stopper Ring	BPWR06000000	
27	Looper Base Stud	CL0265000000	
28	Lever Pin	CL0240000000	
29	Thread Guide	FX0626110000	
30	Looper Drive Gear	CL0212110000	
31	26P Split Collar	CL0262000000	
32	Round Countersunk Head Screw	EG0228000000	
33			
34			
35			
36			
37			
38			
39			
40			
41			
42			
43			
44			
45			
46			
47			
48			

Note: As for parts with marks # or *, please follow our instructions on Table of Contents in your parts order.

(BH11)



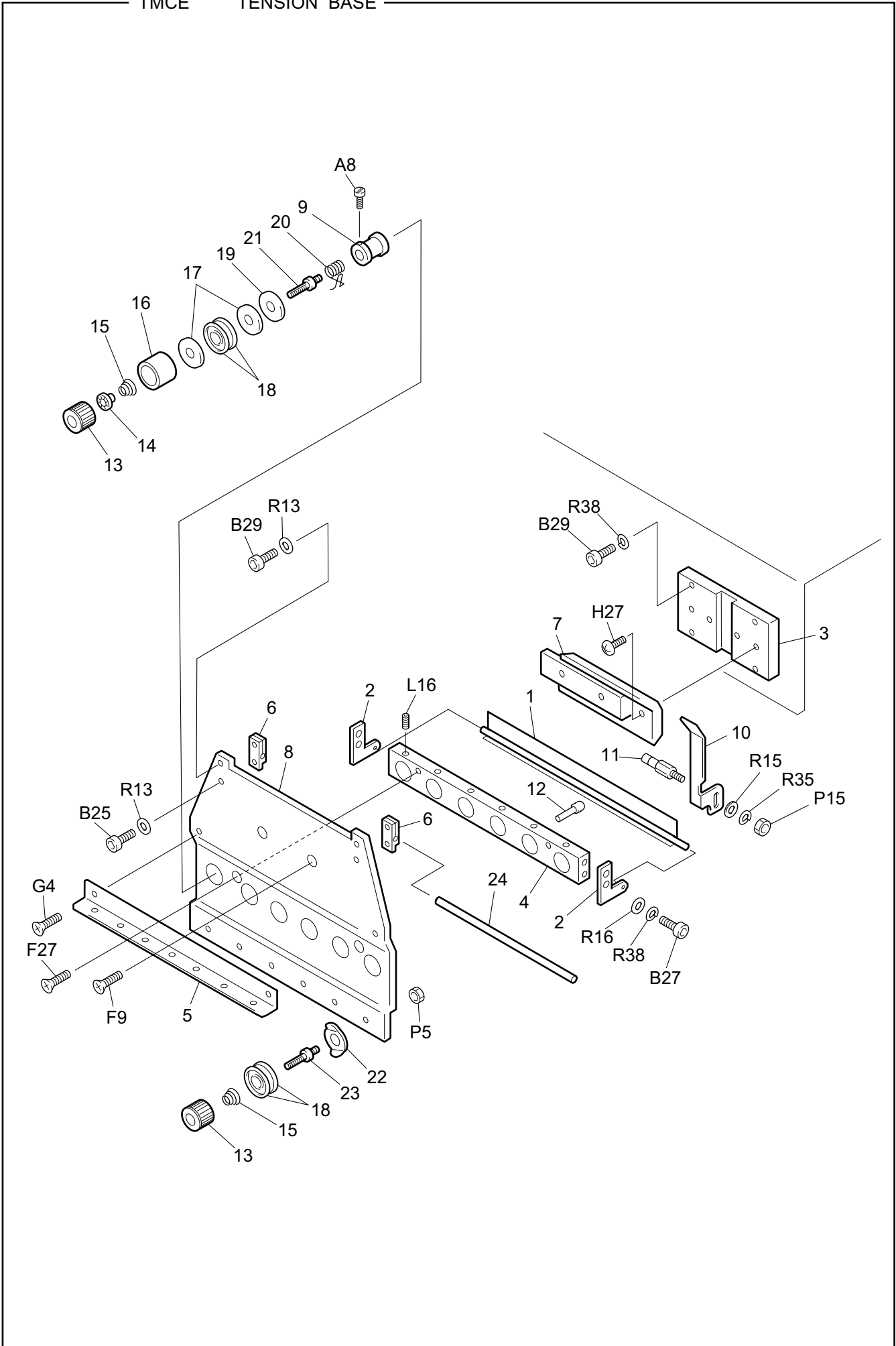
TMCE LOOPER.ATH 2

CL-6-2

Ref.No.	Description	Part No.	Remark
1	Pulse (Stepping) Motor	CL0835010000	
2	ATH Motor Base	CL0215000000	
3	Movable Knife Guide Plate	CL0220000000	
4	Knife Drive Rack	CL0217S20000	
5	ATH Sensor Plate	CL0222000000	
6	Plate Presser Spring	CL0221000000	
7	ATH Drive Knife	CL0226010000	
8	ATH Knife Guide	CL0219000000	
9	Movable Knife Guide Holder Block	CL0234000000	
10	ATH Base	CL0223010000	
11	Movable Knife Holder Block	CL0225000000	
12	ATH Drive Gear	CL0216000000	
13	Proximity Switch	EG6601000000	
14	ATH Fixed Knife	CL0224020000	
15	Fixed Knife Guide	CL0235010000	
16			
17			
18			
19			
20			
21			
22			
23			
24			
25			
26			
27			
28			
29			
30			
31			
32			
33			
34			
35			
36			
37			
38			
39			
40			
41			
42			
43			
44			
45			
46			
47			
48			
49			
50			

Note: As for parts with marks # or *, please follow our instructions on Table of Contents in your parts order.

(BH11)



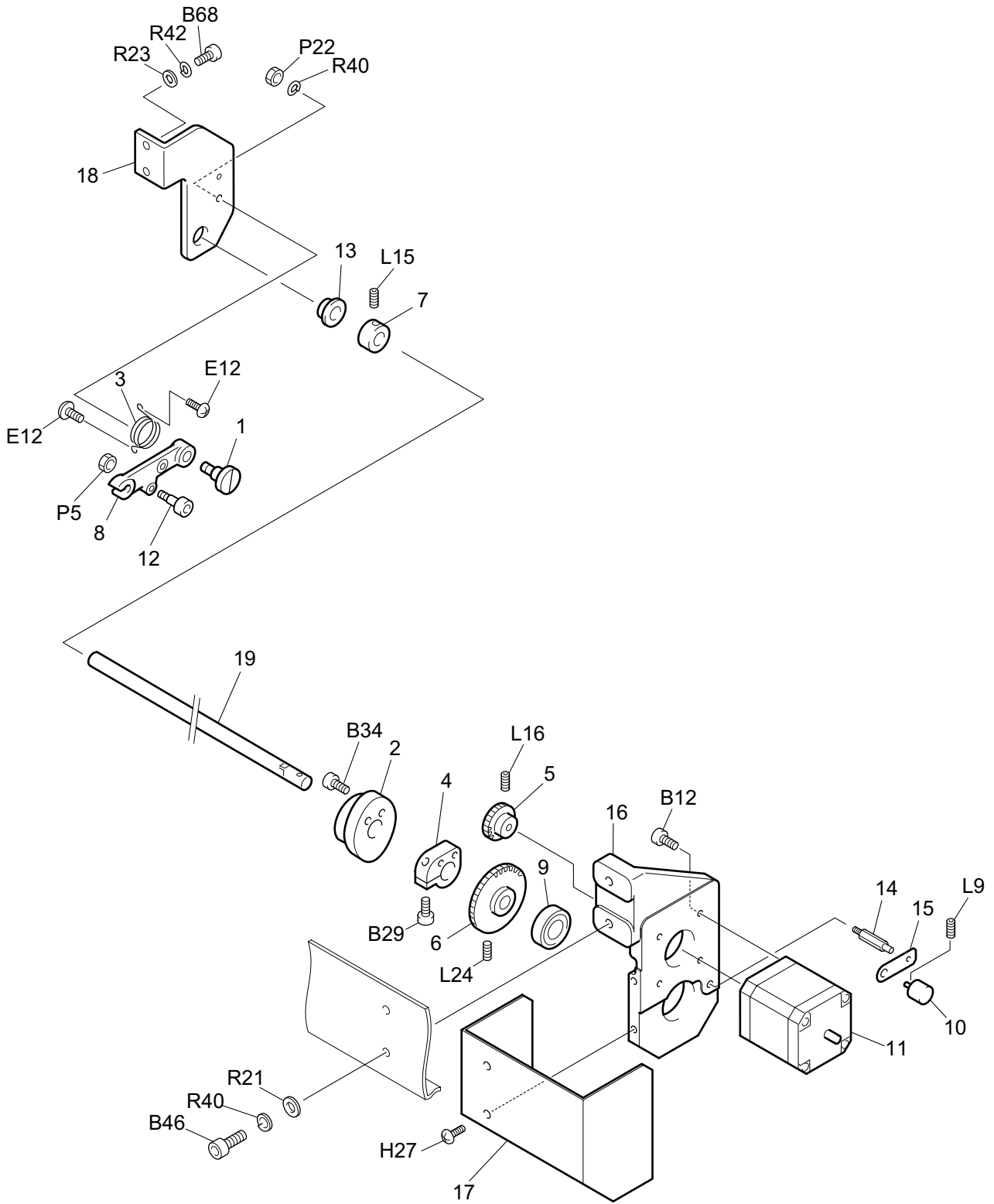
TMCE TENSION BASE

CL-7

Ref.No.	Description	Part No.	Remark
1	Tension Release Plate Assembly	CL040800####	
2	Tension Release Side Plate	CL0407000000	
3	Tension Release Slide Base	CL042000####	
4	Thread Tension Fixing Block	CL040301####	
5	Tension Base Thread Guide	CL040100####	
6	Color Change Bracket	CL0404000000	
7	Tension Base Slide Unit	CL040500####	
8	Tension Base	CL040201####	
9	Tension Collar	CL0435000000	
10	Looper Lower Lever	CL0414010000	
11	Looper Lower Lever Pin	CL0415000000	
12	Tension Release Pin	LE0912000000	
13	Adjusting Screw	EC0836000000	
14	Spring Hook	EF0910000000	
15	Tension Spring	EF0908000000	
16	Tension Collar	LG0959000000	
17	Felt Packing	EF0904000000	
18	Thread Course Tension Disk	EF0913000000	
19	Insulation Plate	EF0903000000	
20	Thread Take-up Spring	CL0434000000	
21	Tension Stud	CL0436000000	
22	Thread Course Thread Guide	EF0912000000	
23	Thread Course Tension Stud	EF0914000000	
24	Change Shaft	CL083100****	
25			
26			
27			
28			
29			
30			
31			
32			
33			
34			
35			
36			
37			
38			
39			
40			
41			
42			
43			
44			
45			
46			
47			
48			
49			
50			

Note: As for parts with marks # or *, please follow our instructions on Table of Contents in your parts order.

(BH11)



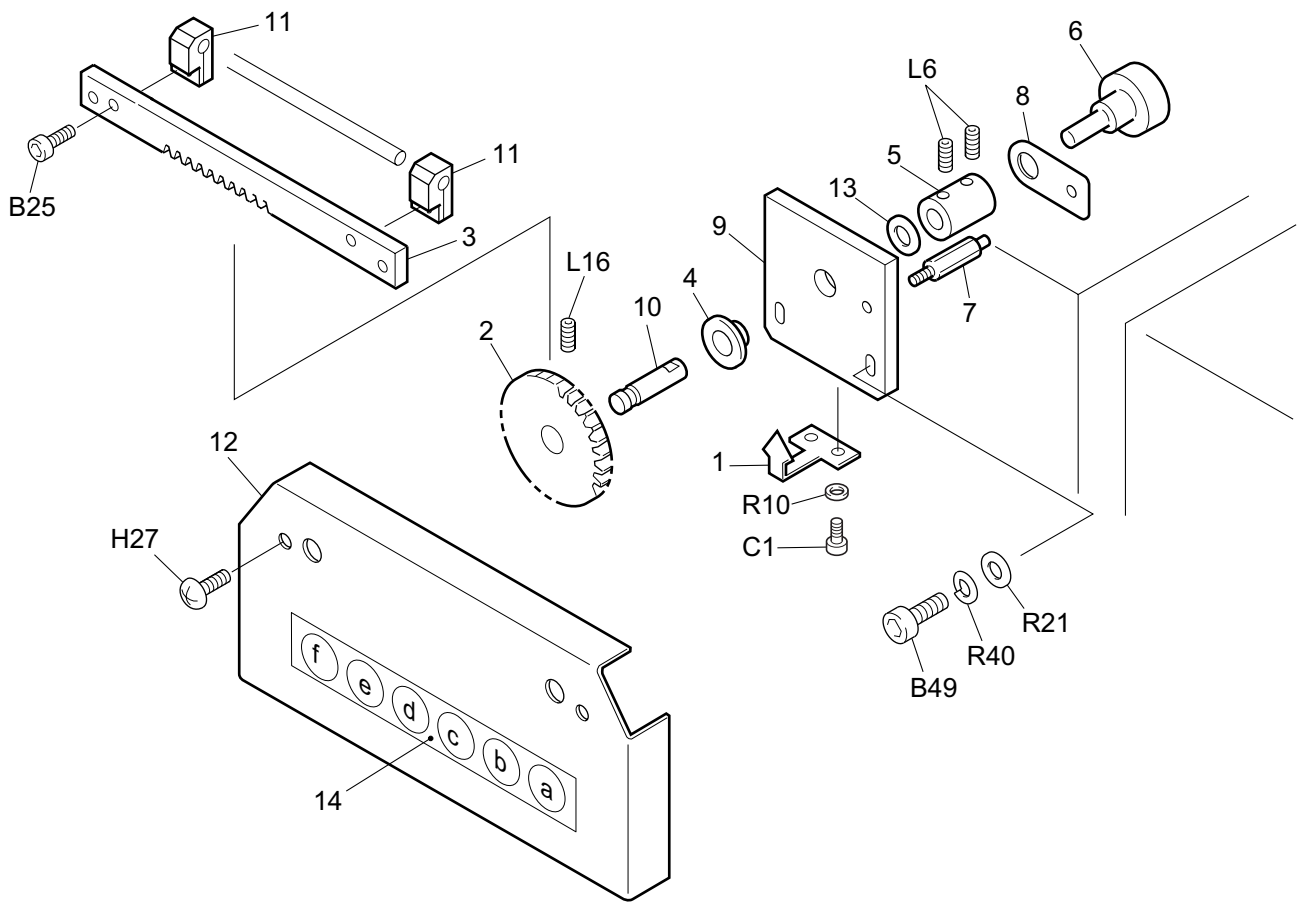
TMCE TENSION RELEASE

CL-8

Ref.No.	Description	Part No.	Remark
1	Tension Release Lever Pin	CL0411000000	
2	Tension Release Cam	CL0421000000	
3	Tension Release Return Spring	CL0416000000	
4	Tension Release Cam Tightening Collar	CL0417000000	
5	Z-axis Drive Gear	CL0543S00000	
6	Z-axis Driven Gear	CL0546000000	
7	Tension Release 12P Collar	CL0418000000	
8	Tension Release Lever	CL0412000000	
9	Ball Bearing	BP6901ZZ0000	
10	Potentiometer	CL0842000000	
11	Pulse (Stepping) Motor	CL0835010000	
12	Roller Pin B	CE0117100000	
13	Flanged DU Bushing	BPMB120620FD	
14	Potentiometer Stud B	CL0423000000	
15	Potentiometer Attaching Plate B	CL0422000000	
16	Tension Release Motor Bracket	CL0443010000	
17	Tension Release Cover	CL0444000000	
18	Tension Release Middle Bracket	CT0402000000	
19	Tension Release Shaft	CL089200****	
20			
21			
22			
23			
24			
25			
26			
27			
28			
29			
30			
31			
32			
33			
34			
35			
36			
37			
38			
39			
40			
41			
42			
43			
44			
45			
46			
47			
48			
49			
50			

Note: As for parts with marks # or *, please follow our instructions on Table of Contents in your parts order.

(BH11)



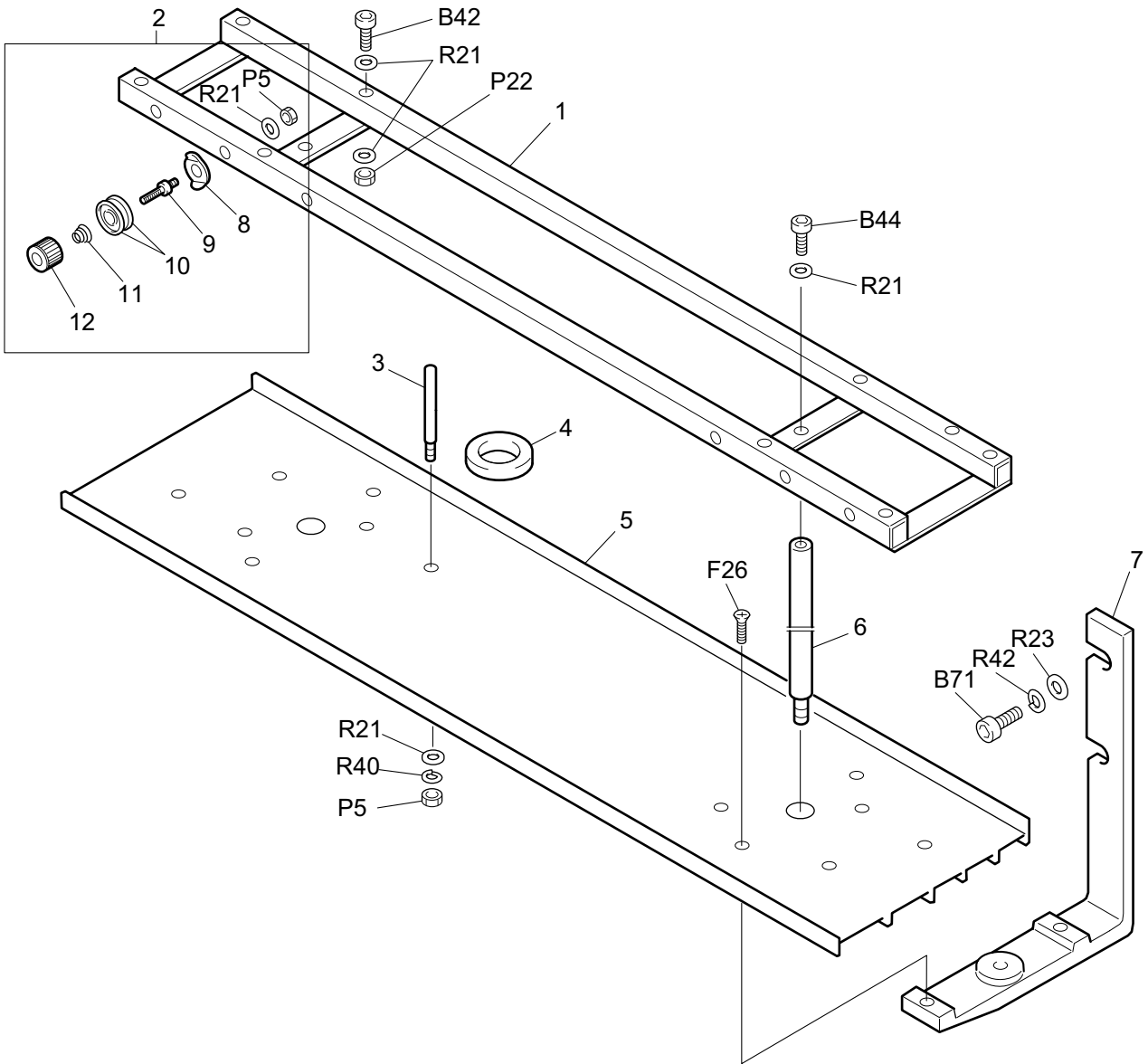
TMCE COLOR CHANGE SENSOR

CL-9

Ref.No.	Description	Part No.	Remark
1	Color Change Sensor Pointer	CL0432000000	
2	Color Change Sensor Gear	CL0431000000	
3	Color Change Sensor Rack	CL042500####	
4	Flanged DU Bushing	BPMB060612FD	
5	Color Change Sensor Collar	CL0430000000	
6	Color Change Potentiometer	CL0836000000	
7	Potentiometer Stud	CL0428000000	
8	Potentiometer Attaching Plate	CL0427000000	
9	Color Change Sensor Base	CT0405000000	
10	Pin No.101	CT0406000000	
11	Rack Attaching Bracket	CT0407000000	
12	Color Change Sensor Cover	CT0408010000	
12	Color Change Sensor Cover	CL0445010000	360P M/C
13	Thrust Washer	BPRTW0613000	
14	Color Change Display Seal	CL0456000000	
15			
16			
17			
18			
19			
20			
21			
22			
23			
24			
25			
26			
27			
28			
29			
30			
31			
32			
33			
34			
35			
36			
37			
38			
39			
40			
41			
42			
43			
44			
45			
46			
47			
48			
49			

Note: As for parts with marks # or *, please follow our instructions on Table of Contents in your parts order.

(BH11)



TMCE THREAD STAND

CL-10

Ref.No.	Description	Part No.	Remark
1	Thread Course	CL060200****	
2	No.1 Tension Set	UN150500B001	
3	Thread Stand Stud	EF0939010000	
4	Thread Stand Felt	EF0940000000	
5	Thread Stand Plate	CL060100****	
6	Thread Stand Shaft A	CL0603000000	
7	Thread Stand Base	CL0604000000	
8	Thread Course Thread Guide	EF0912000000	
9	Thread Course Tension Stud	EF0914000000	
10	Thread Course Tension Disk	EF0913000000	
11	Tension Spring	EF0908000000	
12	Adjusting Screw	EF09090A0000	
13			
14			
15			
16			
17			
18			
19			
20			
21			
22			
23			
24			
25			
26			
27			
28			
29			
30			
31			
32			
33			
34			
35			
36			
37			
38			
39			
40			
41			
42			
43			
44			
45			
46			
47			
48			
49			
50			

Note: As for parts with marks # or *, please follow our instructions on Table of Contents in your parts order.

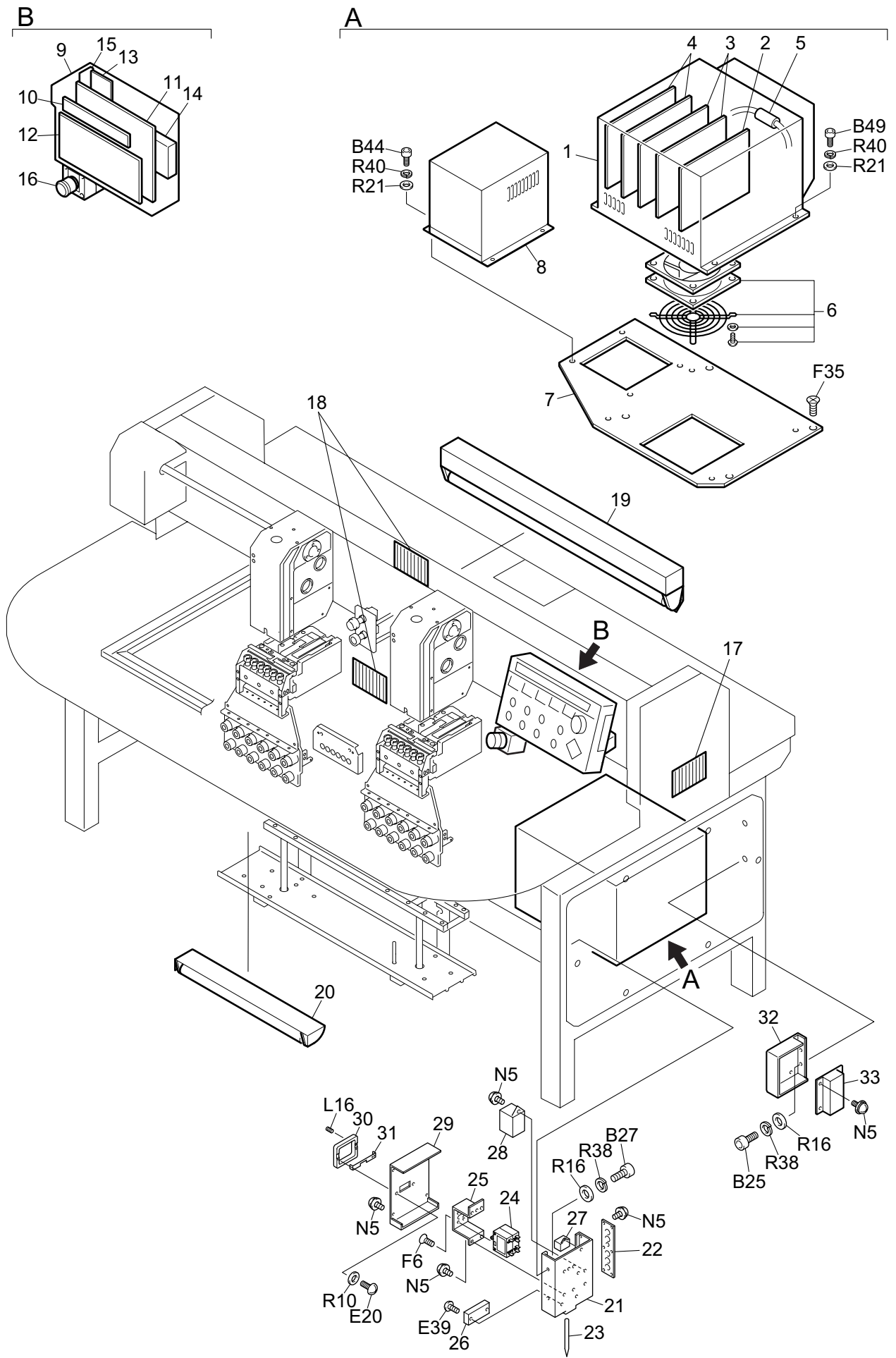
(BH11)

TMCE BORDER FRAME

CL-11

Ref.No.	Description	Part No.	Remark
1	Border Frame	CL030100****	
2	Border Frame L-plate	CX0302010000	
3	Frame Corner	CX03C3000000	
4	Border Frame Felt	CX0386000000	
5	Locking Key	BPLS5X100000	
6	Positioning Washer	CX0397000000	
7	Border Frame Clip	EF030700****	
8	Border Frame Spacer AR	CX0395R00000	
9	Border Frame Spacer AL	CX0395L00000	
10	Border Frame Spacer C	CX03B4000000	
11			
12			
13			
14			
15			
16			
17			
18			
19			
20			
21			
22			
23			
24			
25			
26			
27			
28			
29			
30			
31			
32			
33			
34			
35			
36			
37			
38			
39			
40			
41			
42			
43			
44			
45			
46			
47			
48			
49			
50			

Note: As for parts with marks # or *, please follow our instructions on Table of Contents in your parts order.



TMCE ELECTRICAL PARTS

CL-12

Ref.No.	Description	Part No.	Remark
1	Power Supply Driver Box	CL5600030000	
2	Power Supply Card	CL5601020000	
3	Main Shaft Driver	CX5602070000	
4	X/Y-Axis Driver	CX5609040000	
5	Clamp Filter	PB000500FM00	
6	Fan	PB000900BF00	
7	Transformer Plate	CX08D90A0000	350-440 VAC Specification M/C
7	Fluorescent Lamp Transformer Plate	CX08N2000000	Fluo.Lamp except 350-440V
8	Separate Transformer	PA6016000000	350-440 VAC Specification M/C
8	Fluorescent Lamp Transformer Unit	PA6012000000	Fluo.Lamp except 350-440V
9	Controller	CL5100030000	
10	FIP (Indicator Assembly)	PB001100LP00	
11	CPU Card	MX5101A40000	
12	Switch Card	MX5102000000	
13	Extension Card	CL5101060000	
14	Floppy Disk Drive	PB000800RE00	
15	FDD Connector Conversion Set	MX5104000000	
16	Emergency Stop Switch Box	EN5804000000	
17	Joint Card (PC Board)	MX6101000000	
18	Head Card	CL6101040000	
19	Fluorescent Lamp	EG7401E00000	Optional
20	Fluorescent Lamp	DL7400A00000	Optional
21	Breaker Bracket	CX08J1010000	
22	Breaker Panel	CX08J1410000	
23	Grounding Bar	PB000500WA00	
24	Circuit Protector	PB002700KA00	1-Phase Spec. M/C
24	Circuit Protector	PB002800KA00	3-Phase Spec. M/C
25	Breaker Stand	CX08J1210000	1-Phase Spec. M/C
25	Breaker Stand	CX08J1310000	3-Phase Spec. M/C
26	Terminal Base	PB000900TB00	
27	Surge Protector	PB001300RS00	1-Phase Spec. M/C
27	Surge Protector	PB001400RS00	3-Phase Spec. M/C
28	Noise Filter	PB000800FM00	1-Phase Spec. M/C
29	Breaker Cover	CX08J1110000	
30	Switch Guard	CX08J1510000	
31	Breaker Lcok	CX08J1800000	1-Phase Spec. M/C
31	Breaker Lcok	CX08J1700000	3-Phase Spec. M/C
32	Noise Filter Setting Plate	CX08J1610000	3-Phase Spec. M/C
33	Noise Filter	PB000700FM00	3-Phase Spec. M/C
34			
35			
36			
37			
38			
39			
40			
41			
42			
43			
44			

Note: As for parts with marks # or *, please follow our instructions on Table of Contents in your parts order.

(BH11)

No.	Part No.	Remark	No.	Part No.	Remark
A	Flat Fillister Head Screw		B17	SS6203180TN0	M3*18
A1	SM15015450CN	1/8*44*5	B18	SS6203200TD0	M3*20
A2	SM15015455CN	1/8*44*5.5	B19	SS6203200TN0	M3*20
A3	SM15015460CN	1/8*44*6	B20	SS6203250TN0	M3*25
A4	SM16515530CN	9/64*40*3	B21	SS6204050TD0	M4*5
A5	SM14020540CN	9/64*40*4	B22	SS6204050TN0	M4*5
A6	SM16516540SA	9/64*40*4	B23	SS6204060TN0	M4*6
A7	SM17010540CN	9/64*40*4	B24	SS6204080TD0	M4*8
A8	SM1E515550CN	9/64*40*5	B25	SS6204080TN0	M4*8
A9	SM14020560CN	9/64*40*6	B26	SS6204100TD0	M4*10
A10	SM15525560CN	9/64*40*6	B27	SS6204100TN0	M4*10
A11	SM15526570CN	9/64*40*7	B28	SS6204120TD0	M4*12
A12	SM15020580CN	9/64*40*8	B29	SS6204120TN0	M4*12
A13	SM15530580CN	9/64*40*8	B30	SS6204150TN0	M4*15
A14	SM16025580CN	9/64*40*8	B31	SS6204180TN0	M4*18
A15	SM150205A0CN	9/64*40*10	B32	SS6204200TD0	M4*20
A16	SM150205C0CN	9/64*40*12	B33	SS6204200TN0	M4*20
A17	SM150205F0CN	9/64*40*15	B34	SS6204250TN0	M4*25
A18	SM15422643TN	11/64*40*4.3	B35	SS6204250TN1	M4*25
A19	SM17017670CN	11/64*40*7	B36	SS6204300TN0	M4*30
A20	SM1C035675CN	11/64*40*7.5	B37	SS6204350TN0	M4*35
A21	SM10825690SH	11/64*40*9	B38	SS6204400TN0	M4*40
A22	SM146266B5CN	11/64*40*11.5	B39	SS6204450TN0	M4*45
A23	SM172316C0CN	11/64*40*12	B40	SS6205060TN0	M5*6
A24	SS6003080SC0	M3*8	B41	SS6205080TD0	M5*8
A25	SS6003080SD0	M3*8	B42	SS6205080TN0	M5*8
A26	SS6003100CC0	M3*10	B43	SS6205100TD0	M5*10
A27	SS6004100SC0	M4*10	B44	SS6205100TN0	M5*10
			B45	SS6205100TP0	M5*10
			B46	SS6205120TN0	M5*12
			B47	SS6205140TN0	M5*14
			B48	SS6205150TD0	M5*15
			B49	SS6205150TN0	M5*15
B	Hexagon Socket Head Cap Screw		B50	SS6205160TN0	M5*16
B1	SS6202080TD0	M2*8	B51	SS6205180TN0	M5*18
B2	SS6202100TD0	M2*10	B52	SS6205200TD0	M5*20
B3	SS6276050TN0	M2.6*5	B53	SS6205200TN0	M5*20
B4	SS6203030TN0	M3*3	B54	SS6205220TN0	M5*22
B5	SS6203040TN0	M3*4	B55	SS6205230TN0	M5*23
B6	SS6203050TN0	M3*5	B56	SS6205250TN0	M5*25
B7	SS6203060TD0	M3*6	B57	SS6205300TN0	M5*30
B8	SS6203060TN0	M3*6	B58	SS6205350TN0	M5*35
B9	SS6203080TD0	M3*8	B59	SS6205350TN1	M5*35
B10	SS6203080TN0	M3*8	B60	SS6205500TN0	M5*50
B11	SS6203100TD0	M3*10	B61	SS6205500TN1	M5*50
B12	SS6203100TN0	M3*10	B62	SS6205550TN0	M5*55
B13	SS6203120TN0	M3*12	B63	SS6205600TN0	M5*60
B14	SS6203150TD0	M3*15	B64	SS6205600TN1	M5*60
B15	SS6203150TN0	M3*15	B65	SS6206080TN0	M6*8
B16	SS6203160TN0	M3*16	B66	SS6206090TN0	M6*9

B.C.D.E

No.	Part No.	Remark	No.	Part No.	Remark
<i>B</i>	Hexagon Socket Head Cap Screw		<i>C10</i>	SS9306500SD0	M6*50
<i>B67</i>	SS6206100TN0	M6*10	<i>C11</i>	SS9306550SD0	M6*55
<i>B68</i>	SS6206120TN0	M6*12	<i>C12</i>	SS9306650SD0	M6*65
<i>B69</i>	SS6206150TN0	M6*15	<i>C13</i>	SS9306750SC0	M6*75
<i>B70</i>	SS6206180TN0	M6*18	<i>C14</i>	SS9308150TN0	M8*15
<i>B71</i>	SS6206200TN0	M6*20	<i>C15</i>	SS9308180TN0	M8*18
<i>B72</i>	SS6206250TN0	M6*25	<i>C16</i>	SS9310300TN0	M10*30
<i>B73</i>	SS6206300TN0	M6*30	<i>C17</i>	SS9310350SC0	M10*35
<i>B74</i>	SS6206350TN0	M6*35	<i>C18</i>	SS9310350TN0	M10*35
<i>B75</i>	SS6206400TN0	M6*40	<i>C19</i>	SS9310400SC1	M10*40
<i>B76</i>	SS6206450TN0	M6*45	<i>C20</i>	SS9312500TN0	M12*50
<i>B77</i>	SS6206450TN1	M6*45			
<i>B78</i>	SS6206500TN1	M6*50			
<i>B79</i>	SS6206650TN0	M6*65			
<i>B80</i>	SS6506750TN1	M6*75			
<i>B81</i>	SS6206800TN1	M6*80			
<i>B82</i>	SS6206A00TN0	M6*100	<i>D</i>	Round Fillister Head Screw	
<i>B83</i>	SS6208120TN0	M8*12	<i>D1</i>	SM66514540CL	9/64*40*4
<i>B84</i>	SS6208150TN0	M8*15	<i>D2</i>	SM66015550CL	9/64*40*5
<i>B85</i>	SS6208150TP0	M8*15	<i>D3</i>	SM66015550CN	9/64*40*5
<i>B86</i>	SS6208200TN0	M8*20	<i>D4</i>	SM67018550CN	9/64*40*5
<i>B87</i>	SS6208250TN0	M8*25	<i>D5</i>	SM67020550CN	9/64*40*5
<i>B88</i>	SS6208300TN0	M8*30	<i>D6</i>	SM66015560CL	9/64*40*6
<i>B89</i>	SS6208350TN0	M8*35	<i>D7</i>	SM66015560CN	9/64*40*6
<i>B90</i>	SS6208400TN0	M8*40	<i>D8</i>	SM67020560CL	9/64*40*6
<i>B91</i>	SS6208400TN1	M8*40	<i>D9</i>	SM67020560CN	9/64*40*6
<i>B92</i>	SS6208450TN0	M8*45	<i>D10</i>	SM65817568CN	9/64*40*6.8
<i>B93</i>	SS6208450TN1	M8*45	<i>D11</i>	SM67020580CN	9/64*40*8
<i>B94</i>	SS6208500TN0	M8*50	<i>D12</i>	SM660255A0CN	9/64*40*10
<i>B95</i>	SS6208600TN0	M8*60	<i>D13</i>	SM670205C0CN	9/64*40*12
<i>B96</i>	SS6208700TN0	M8*70	<i>D14</i>	SM67015660CL	11/64*40*6
<i>B97</i>	SS6210250TN0	M10*25	<i>D15</i>	SM67010665CL	11/64*40*6.5
<i>B98</i>	SS6210300TN0	M10*30	<i>D16</i>	SM675306C0CN	11/64*40*12
<i>B99</i>	SS6210400TN0	M10*40	<i>D17</i>	SM675256F0CN	11/64*40*15
<i>B100</i>	SS6212300TN0	M12*30	<i>D18</i>	SM69065CQ5CN	9/32*28*24.5
			<i>D19</i>	SS7003050SD0	M3*5
<i>C</i>	Hexagon Bolt				
<i>C1</i>	SS9303060SD0	M3*6	<i>E</i>	Pan Head Screw	
<i>C2</i>	SS9304080SD0	M4*8	<i>E1</i>	SS4164014MZ0	M1.4*1.4
<i>C3</i>	SS9305100SD0	M5*10	<i>E2</i>	SS4102030MZ0	M2*3
<i>C4</i>	SS9305150SC0	M5*15	<i>E3</i>	SS4102040MZ0	M2*4
<i>C5</i>	SS9305150SD0	M5*15	<i>E4</i>	SS4102080MZ0	M2*8
<i>C6</i>	SS9305200SD0	M5*20	<i>E5</i>	SS4175030MZ0	M2.5*3
<i>C7</i>	SS9306150SC0	M6*15	<i>E6</i>	SS4175040MZ0	M2.5*4
<i>C8</i>	SS9306450SD0	M6*45	<i>E7</i>	SS4175050MZ0	M2.5*5
<i>C9</i>	SS9306500SC0	M6*50	<i>E8</i>	SS4175080MZ0	M2.5*8

No.	Part No.	Remark	No.	Part No.	Remark
E	Pan Head Screw				
E9	SS4175130MZ0	M2.5*13			
E10	SS4175130SD0	M2.5*13			
E11	SS4103030MZ0	M3*3	F	Countersunk Head Screw	
E12	SS4103030SD0	M3*3	F1	SMA55005A0CN	9/64*40*10
E13	SS4103040CD0	M3*4	F2	SMB7000680CN	11/64*40*8
E14	SS4103040MZ0	M3*4	F3	SS1102060SD0	M2*6
E15	SS4103040SD0	M3*4	F4	SS1103040MZ0	M3*4
E16	SS4103050MZ0	M3*5	F5	SS1103040SD0	M3*4
E17	SS4103050SD0	M3*5	F6	SS1103050SD0	M3*5
E18	SS4103060MZ0	M3*6	F7	SS1003060SD0	M3*6
E19	SS4103060SA0	M3*6	F8	SS1103060MZ0	M3*6
E20	SS4103060SD0	M3*6	F9	SS1103060SD0	M3*6
E21	SS4103080MZ0	M3*8	F10	SS1103070SD0	M3*7
E22	SS4103080SA0	M3*8	F11	SS1003080SD0	M3*8
E23	SS4103080SD0	M3*8	F12	SS1103080MZ0	M3*8
E24	SS4103100SC1	M3*10	F13	SS1103080SC0	M3*8
E25	SS4103100SD0	M3*10	F14	SS1103080SD0	M3*8
E26	SS4103120MZ0	M3*12	F15	SS1103080SN0	M3*8
E27	SS4103120SD0	M3*12	F16	SS1103100SD0	M3*10
E28	SS4103140SA0	M3*14	F17	SS1103120MZ0	M3*12
E29	SS4103140SD0	M3*14	F18	SS1103120SD0	M3*12
E30	SS4103150SD0	M3*15	F19	SS1103150MZ0	M3*15
E31	SS4103400SD1	M3*40	F20	SS1103160SD0	M3*16
E32	SS4103500SD1	M3*50	F21	SS1104050SD0	M4*5
E33	SS4104040SD0	M4*4	F22	SS1104060SD0	M4*6
E34	SS4104050SD0	M4*5	F23	SS1104080MZ0	M4*8
E35	SS4104060MZ0	M4*6	F24	SS1104080SD0	M4*8
E36	SS4104060SD0	M4*6	F25	SS1104100MZ0	M4*10
E37	SS4104080SD0	M4*8	F26	SS1104100SD0	M4*10
E38	SS4104100SD0	M4*10	F27	SS1104120SD0	M4*12
E39	SS4104120SD0	M4*12	F28	SS1104140SD0	M4*14
E40	SS4104150SD0	M4*15	F29	SS1104150SD0	M4*15
E41	SS4104180SD0	M4*18	F30	SS1104200SD0	M4*20
E42	SS4104300SD0	M4*30	F31	SS1104220SD0	M4*22
E43	SS4104500SD0	M4*50	F32	SS1104250SD0	M4*25
E44	SS4104600SD1	M4*60	F33	SS1105060SD0	M5*6
E45	SS4105060SD0	M5*6	F34	SS1105080SD0	M5*8
E46	SS4105070SD0	M5*7	F35	SS1105100SD0	M5*10
E47	SS4105080SD0	M5*8	F36	SS1105120SD0	M5*12
E48	SS4105100MZ0	M5*10	F37	SS1105150SD0	M5*15
E49	SS4105100SD0	M5*10	F38	SS1105300SD0	M5*30
E50	SS4105120SD0	M5*12	F39	SS1105350SD0	M5*35
E51	SS4105300SD1	M5*12	F40	SS1106150SC0	M6*15
E52	SS4105150SD0	M5*15	F41	SS1106150SD0	M6*15
E53	SS4105450SD1	M5*45	F42	SS1106350SD0	M6*35
E54	SS4105500SD1	M5*50	F43	SS1108120SD0	M8*12
E55	SS4105600SD1	M5*60	F44	SS1108700TN0	M8*70

G.H.J.K

No.	Part No.	Remark	No.	Part No.	Remark
G	Round Countersunk Head Screw		H36	SS0105050SD0	M5*5
G1	SMC5000460CL	1/8*44*6	H37	SS0105060SD0	M5*6
G2	SMC5000530CL	9/64*40*3	H38	SS0105065SD0	M5*6.5
G3	SMC5000535CL	9/64*40*3.5	H39	SS0105070SD0	M5*7
G4	SMC5000540CL	9/64*40*4	H40	SS0105080SD0	M5*8
G5	SMC5000560CL	9/64*40*6	H41	SS0105100CB0	M5*10
G6	SMC5000570CL	9/64*40*7	H42	SS0105100SD0	M5*10
G7	SMC5000595CL	9/64*40*9.5	H43	SS0105120SD0	M5*12
G8	SMC50005C0CL	9/64*40*12	H44	SS0105150SD0	M5*15
			H45	SS0105200SD0	M5*20
			H46	SS0105250SD0	M5*25
			H47	SS0106080SD0	M6*8
			H48	SS0106100SD0	M6*10
			H49	SS0106220SD0	M6*22
H	Truss Head Screw		H50	SS0106250SD0	M6*25
H1	SMF6016470CL	1/8*44*7	H51	SS0106350SD0	M6*35
H2	SMF8020530CL	9/64*40*3.5	H52	SS0106400SD0	M6*40
H3	SMF8020540CL	9/64*40*4			
H4	SME9510540CM	9/64*40*4			
H5	SMF8020560CL	9/64*40*6			
H6	SMF8020580CL	9/64*40*8			
H7	SS0175030MZ0	M2.5*3			
H8	SS0175030SD0	M2.5*3	J	Round Head Screw	
H9	SS0175040MZ0	M2.5*4	J1	SS3102030MZ0	M2*3
H10	SS0175040SA0	M2.5*4	J2	SS3103080SD0	M3*8
H11	SS0175040SD0	M2.5*4	J3	SS3103080SE0	M3*8
H12	SS0103030MZ0	M3*3	J4	SS3103100MZ0	M3*10
H13	SS0103030SD0	M3*3			
H14	SS0103040SD0	M3*4			
H15	SS0103050MZ0	M3*5			
H16	SS0103050SD0	M3*5			
H17	SS0103060MZ0	M3*6			
H18	SS0103060SD0	M3*6	K	Slotted Set Screw	
H19	SS0103060SA0	M3*6	K1	SMK0000435CN	1/8*44*3.5
H20	SS0103080SD0	M3*8	K2	SMK0000560CN	9/64*40*6
H21	SS0103080SA0	M3*8	K3	SMK0000625CN	11/64*40*2.5
H22	SS0103100MZ0	M3*10	K4	SMK0000635CN	11/64*40*3.5
H23	SS0103100SD0	M3*10	K5	SMK0000640CN	11/64*40*4
H24	SS0103200SD0	M3*20	K6	SMK0000650CN	11/64*40*5
H25	SS0104050SD0	M4*5	K7	SMK0000A50CN	15/64*28*5
H26	SS0104060MZ0	M4*6	K8	SMK0000AA0CN	15/64*28*10
H27	SS0104060SD0	M4*6	K9	SMK0000AF0CN	15/64*28*15
H28	SS0104080MZ0	M4*8	K10	SMK0000AH0CN	15/64*28*17
H29	SS0104080SD0	M4*8	K11	SMK0000B40CN	1/4*40*4
H30	SS0104080SD2	M4*8	K12	SMK0000B45CN	1/4*40*4.5
H31	SS0104100MZ0	M4*10	K13	SMK0000B50CN	1/4*40*5
H32	SS0104100SD0	M4*10	K14	SMK0000B60CN	1/4*40*6
H33	SS0104120SD0	M4*12	K15	SMK0000B80CN	1/4*40*8
H34	SS0104150SD0	M4*15	K16	SMK0000CC0CN	9/32*28*12
H35	SS0104200SD0	M4*20	K17	SS8005060TN0	M5*6

L.M.N.P

No.	Part No.	Remark	No.	Part No.	Remark
L	Hexagon Socket Head Set Screw				
L1	SMJ0000425CN	1/8*44*2.5			
L2	SMJ0000690CN	11/64*28*9	N	Screw with Washer	
L3	SMJ0000640CN	11/64*40*4	N1	SSA003080000	M3*8
L4	SMJ0000660CN	11/64*40*6	N2	SSA003150000	M3*15
L5	SMJ0000680CN	11/64*40*8	N3	SSA003160000	M3*16
L6	SMJ0000A40CN	15/64*28*4	N4	SSA003180000	M3*18
L7	SMJ0000A90CN	15/64*28*9	N5	SSA004080000	M4*8
L8	SS8203020TN0	M3*2	N6	SSA004100000	M4*10
L9	SS8203030TN0	M3*3	N7	SSA004550000	M4*55
L10	SS8203040TN0	M3*4	N8	SSA005100000	M5*10
L11	SS8203050TN0	M3*5	N9	SSA005120000	M5*12
L12	SS8203060TN0	M3*6	N10	SSA005140000	M5*14
L13	SS8203080TN0	M3*8	N11	SSA005180000	M5*18
L14	SS8204030TN0	M4*3			
L15	SS8204040TN0	M4*4			
L16	SS8204050TN0	M4*5			
L17	SS8204060TN0	M4*6			
L18	SS8204060TN1	M4*6			
L19	SS8204080TN0	M4*8	P	Nut	
L20	SS8204100TN0	M4*10	P1	SMN046030CN0	1/8*44*6*3
L21	SS8204120TN0	M4*12	P2	SMN056020CL0	9/64*40*6*2
L22	SS8205040TN0	M5*4	P3	SMN056030CN0	9/64*40*6*3
L23	SS8205050TN0	M5*5	P4	SMN066020CN0	11/64*40*6*2
L24	SS8205060TN0	M5*6	P5	SMN066030CN0	11/64*40*6*3
L25	SS8205080TN0	M5*8	P6	SMN067030CN0	11/64*40*7*3
L26	SS8205100TN0	M5*10	P7	SMN167030CN0	11/64*40*7*3
L27	SS8205120TN0	M5*12	P8	SSN002SD0000	M2 Type 1
L28	SS8205150TN0	M5*15	P9	SSN073SD0000	M2.3 Type 1
L29	SS8206050TN0	M6*5	P10	SSN075MZ0000	M2.5 Type 1
L30	SS8206060TN0	M6*6	P11	SSN003MZ0000	M3 Type 1
L31	SS8206080TN0	M6*8	P12	SSN003SC0000	M3 Type 1
L32	SS8206100TN0	M6*10	P13	SSN003SD0000	M3 Type 1
L33	SS8206180TN0	M6*18	P14	SSN403SD0000	M3 Thumbscrew Type 2
L34	SS8208080TN0	M8*8	P15	SSN203SC0000	M3 Type 3
L35	SS8208100TN0	M8*10	P16	SSN203SD0000	M3 Type 3
L36	SS8208150TN0	M8*15	P17	SSN285SC0000	M3.5 Type 3
			P18	SSN004SC0000	M4 Type 1
			P19	SSN004SD0000	M4 Type 1
			P20	SSN204SC0000	M4 Type 3
			P21	SSN204SD0000	M4 Type 3
			P22	SSN005SC0000	M5 Type 1
M	Hexagon Socket Head Button Screw		P23	SSN005SD0000	M5 Type 1
M1	SS3203050SC0	M3*5	P24	SSN205SC0000	M5 Type 3
M2	SS3204060SC0	M4*6	P25	SSN205SD0000	M5 Type 3
M3	SS3205100SC0	M5*10	P26	SSN605SD0000	M5 Cap Screw
M4	SS3205100SD0	M5*10	P27	SSN006SC0000	M6 Type 1
			P28	SSN006SC1000	M6 Type 1(Left)
			P29	SSN006SD0000	M6 Type 1
			P30	SSN006SD1000	M6 Type 1(Left)

P.R

No.	Part No.	Remark	No.	Part No.	Remark
P	Nut		R32	WSP12L520SC0	Plain M12*20.5*2t
P31	SSN206SC0000	M6 Type 3	R33	WSS020000KD0	Spring M2
P32	SSN008SC0000	M8 Type 1	R34	WSS760000KC0	Spring M2.6
P33	SSN008SD0000	M8 Type 1	R35	WSS030000KC0	Spring M3
P34	SSN208SC0000	M8 Type 3	R36	WSS030000KD0	Spring M3
P35	SSN208SD0000	M8 Type 3	R37	WSS850000KC0	Spring M3.5
P36	SSN010SC0000	M10 Type 1	R38	WSS040000KC0	Spring M4
P37	SSN710CD0000	M10 with Flange	R39	WSS040000KD0	Spring M4
P38	SSN710SC0000	M10 with Flange	R40	WSS050000KC0	Spring M5
P39	SSN012SC0000	M12 Type 1	R41	WSS050000KD0	Spring M5
P40	SSN212SC0000	M12 Type 3	R42	WSS060000KC0	Spring M6
P41	SSN216SC0000	M16 Type 3	R43	WSS060000KD0	Spring M6
P42	SSN020SC0000	M20 Type 1	R44	WSS080000KC0	Spring M8
			R45	WSS080000KD0	Spring M8
			R46	WSS100000KC0	Spring M10
			R47	WSS120000KC0	Spring M12
			R48	WSW06B003TP0	Wave M4
			R49	WSW06A503TN0	Wave M6
R	Washer		R50	WSL048505TP0	With teeth M4
R1	WSP640303MZ0	Plain M1.4*3*0.3t	R51	WSL05A006TP0	With teeth M5
R2	WSP023505XZ0	Plain M2*3.5*0.5t	R52	WSN080000SC0	Slant M8
R3	WSP767505XB0	Plain M2.6*7.5*0.5t	R53	WSC048005SC0	Disk Spring M4
R4	WSP036003XZ0	Plain M3*6*0.3t			
R5	WSP036005SC0	Plain M3*6*0.5t			
R6	WSP037005SD0	Plain M3*7*0.5t			
R7	WSP038003SD0	Plain M3*8*0.3t			
R8	WSP038005MZ0	Plain M3*8*0.5t			
R9	WSP038005SC0	Plain M3*8*0.5t			
R10	WSP038005SD0	Plain M3*8*0.5t			
R11	WSP038100SD0	Plain M3*8*1t			
R12	WSP048005SC0	Plain M4*8*0.5t			
R13	WSP048005SD0	Plain M4*8*0.5t			
R14	WSP048008SC0	Plain M4*8*0.8t			
R15	WSP048008SD0	Plain M4*8*0.8t			
R16	WSP04A008SC0	Plain M4*10*0.8t			
R17	WSP04A008SD0	Plain M4*10*0.8t			
R18	WSP04C010SC0	Plain M4*12*1t			
R19	WSP05A008SC0	Plain M5*10*0.8t			
R20	WSP05A008SD0	Plain M5*10*0.8t			
R21	WSP05C008SC0	Plain M5*12*0.8t			
R22	WSP05C008SD0	Plain M5*12*0.8t			
R23	WSP06D010SC0	Plain M6*13*1.0t			
R24	WSP06D010SD0	Plain M6*13*1.0t			
R25	WSP06G010SC0	Plain M6*16*1.0t			
R26	WSP08G012SD0	Plain M8*16*1.2t			
R27	WSP08J016SC0	Plain M8*18*1.6t			
R28	WSP08J016SD0	Plain M8*18*1.6t			
R29	WSP08J032SC0	Plain M8*18*3.2t			
R30	WSP08N032SC0	Plain M8*22*3.2t			
R31	WSP10S032SC0	Plain M10*26*3.2t			